

COMPRAG®

EN

RDX series

compressed air refrigerating dryer

OPERATING MANUAL

Version 1.5

DE

RDX-Serie

Druckluft Kältetrockner

BEDIENUNGSANLEITUNG

Version 1.5

Seite. 25

RU

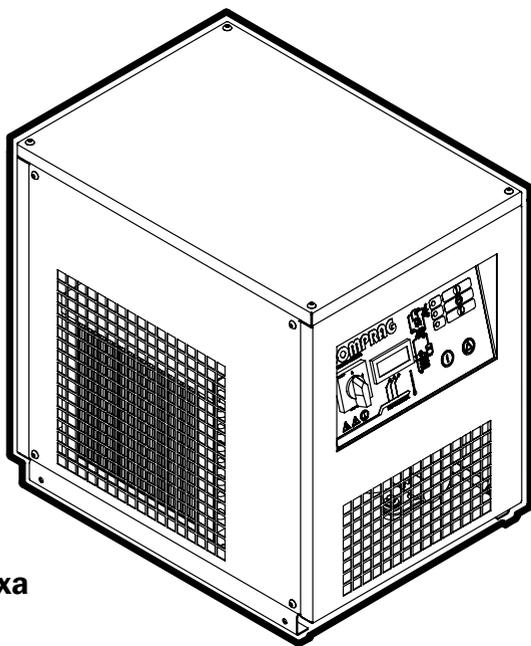
Осушитель сжатого воздуха
рефрижераторного типа

серии RDX

РУКОВОДСТВО ПО ЭКСПЛУАТАЦИИ

Версия 1.5

стр. 47



1	Safety guidelines	4
1.1	Symbols used in the instructions	4
1.2	General safety guidelines	4
1.3	Safety precautions for start-up	5
1.4	Safety precautions during operation	6
1.5	Safety precautions for maintenance and repair	7
2	Technical data and functional description	9
2.1	Technical data	9
2.2	Function	10
2.3	Functional description	11
2.4	Conversion table of performance for different operating conditions	12
3	Start-up	12
3.1	Acceptance of dryer	12
3.2	Dimensions of dryer	13
3.3	Preparation of facility	14
3.4	Preparation of compressed-air line	14
3.5	Electrical connection	14
4	Usage	16
4.1	Control panel	16
4.2	Before use and on a weekly basis	20
4.3	Turning on dryer	20
4.4	Turning off dryer	20
5	Adjusting and maintenance	21
5.1	Hot gas bypass valve adjustment	21
5.2	Condensate drain valve adjustment	22
5.3	Cleaning condenser	22
6	Fault handling	23
7	Storage	24
	EC Declaration of conformity Directive 2006-42-EG	73

1. Safety guidelines

1.1 Symbols used in the instructions

	Lethal hazard
	Warning
	Attention

1.2 General safety guidelines

	Carefully familiarise yourself with the technical documentation, operating instructions and safety guidelines. Most accidents associated with the use of compressor equipment occur as a result of non-compliance with safety guidelines. Prevent hazards from developing and adhere to the safety guidelines. The main rules are given in the following section.
---	---

	The user is solely liable for injuries or damages which occur due to non-compliance with safety guidelines during installation, operation or servicing, as well as unauthorised use of equipment!
---	---

- 1 The operator must stringently adhere to safety guidelines provided for by these instructions and local legislation!
2. When choosing between these safety guidelines and the regulations provided for by local legislation, those rules which provide for more stringent requirements shall apply.
3. Only trained maintenance personnel with the relevant level of professional training are permitted to operate, service and repair Comprag equipment.
4. Compressed air flowing immediately from the compressor may contain oil and impurities

and is not suitable for breathing! Compressed air has to be purified to an air purity grade suitable for breathing, in accordance with the standards prescribed by local legislation.

5. Compressed air is an extremely hazardous energy source. Compressed air must not be used for unintended purposes! Do not use it to clean clothing and footwear and never point compressed air hoses at people and animals! When using air to clean equipment, take extra caution and wear safety goggles!

6. All maintenance, repair, setup and installation work etc. must be performed while the equipment is turned off, disconnected from the power source, with compressed-air hoses disconnected from the equipment, and with the use of safety goggles! Ensure that equipment is disconnected from the compressed air system and is not under pressure.

1.3 Safety precautions for start-up



The user is solely liable for injuries or damages which occur due to non-compliance with safety guidelines during installation, operation or servicing, as well as unauthorised use of equipment!

1. Equipment must only be unloaded/loaded using the appropriate handling devices or hoisters. Equipment must not be manually lifted or moved. Do not leave equipment suspended. Use a helmet during unloading operations.
2. Arrange the equipment in a dry and clean facility which provides shelter from precipitation. The facility must be well ventilated, and forced ventilation should be provided if necessary.
3. Worn, damaged or spoiled compressed-air hoses should not be used. Ensure that hoses correspond to the equipment in terms of nominal diameter and working pressure.
4. When using several compressor stations in a system, each compressor must have a manually operated valve for cutting off any of the compressors in the case of emergency.
5. Explosive and fire-hazardous admixtures such as solvent vapours and carbon dust etc. must not be released into the atmosphere.
6. Ensure unrestricted access to the compressed-air hose from the compressor. Do not clutter it and do not store flammable materials in its immediate vicinity.
7. Do not pinch or deform the compressed-air feed hoses.
8. Do not cover holes used to provide equipment with air for cooling. Ensure the facility is well ventilated.
9. When using remote control, the equipment must give a legible and clear warning of this: 'ATTENTION: this machine is being controlled remotely and may start operating without warning!' An operator who is remotely controlling equipment must ensure that no installation or other work is being performed with the equipment at that moment. Once the equip-

ment is turned off remotely, the operator must ensure that the equipment is actually turned off!
10. Equipment must be earthed. Provide short-circuit protection. The starting knife switch must be in the immediate vicinity of the equipment and protect against unauthorised start-up.



The user bears full responsibility for compliance with the operating conditions of the electrical motor installed in the equipment.
Equipment must be used with protection devices.
The protection devices must protect the electric motor from short circuits, overloading (systematic and start-up) and open-phase conditions.
Installation of protection devices is the responsibility of the user.

11. There must be an information plate affixed next to the control panel on equipment with an independent control system featuring an automatic restart function: 'ATTENTION: This machine may start operating without warning!'

12. Any tanks and vessels working under pressure must be fitted with safety-relief valves! Unauthorised installation, disassembly or adjustment of attached safety-relief valves is not allowed.

1.4 Safety precautions during operation



The user is solely liable for injuries or damages which occur due to non-compliance with safety guidelines during installation, operation or servicing, as well as unauthorised use of equipment!

1. Ensure that hoses correspond to the equipment in terms of nominal diameter and working pressure. Check the attachment of every hose coupling before start-up. An insecurely fastened hose may cause serious injury.

2. Never turn on equipment if you suspect the presence of highly flammable impurities in the air!

3. The operator remotely controlling equipment must ensure that no installation or other work is being performed with the equipment at that moment! An information plate must be affixed to the equipment in relation to this: 'ATTENTION: this machine is being controlled remotely and may start operating without warning!'

4. An operator is not allowed to operate equipment if the operator is fatigued, in a state of intoxication from alcohol, drugs or medicine that reduces the body's reaction time.

5. The equipment must not be operated if parts of the casing have been removed. Doors or panels may be opened for short durations for inspection and scheduled checks. It is advisable to wear hearing protection.



In some types of equipment, open doors or removal of panels during operation may lead to overheating.

6. Personnel in conditions or a facility where the sound pressure level reaches or exceeds 90 dB (A), must wear ear protectors.
7. If the air used for cooling equipment is used while the facility is being heated, undertake measures for it to be filtered so that it is suitable for breathing.
8. Regularly check that:

- safety devices and attachments are in place;
- all hoses and pipes are in good condition and sealed;
- there are no leaks;
- brackets and structural components are tightened;
- all electrical cables and contacts are in good condition and safe to use;
- safety devices are fully functional and there is no contamination etc;
- all structural components are in working order, with no signs of wear and tear.

1.5 Safety precautions for maintenance and repair



The user is solely liable for injuries or damages which occur due to non-compliance with safety guidelines during installation, operation or servicing, as well as unauthorised use of equipment!

1. Only original spare parts and ancillary items may be used. Using spare parts from other manufactures may lead to unpredictable results and consequently accidents.
2. When performing installation and repair work, always wear goggles!
3. Before connecting or disconnecting equipment, disconnect it from the main pneumatic system. Ensure that the hoses aren't under pressure!
4. Before beginning installation or other work, ensure that equipment is not pressurised. Installation work must not be carried out on equipment under pressure.
5. All maintenance work should be carried out only when the temperature of all structural elements falls to room temperature.
6. Never use highly flammable solvents or carbon tetrachloride for cleaning structural ele-

ments. When wiping, take precautions against the poisonous vapours of cleaning fluids.
7. When carrying out installation and repair work, an information plate should be affixed to the control panel to warn against unauthorised start-up. For example, "Do not turn on. Personnel operating!"

8. The operator remotely controlling equipment must ensure that no installation or other work is being performed with the equipment at that moment! An information plate must be affixed to the equipment in relation to this: See 1.3.9.

9. Maintain cleanliness in the facility where the equipment is installed. Close open inlets and outlets during installation with dry clothes or paper to prevent rubbish entering the equipment.

10. Welding or other similar operations must not be carried out in the immediate vicinity of the equipment and vessels under pressure.

11. If there is any suspicion of overheating, combustion or other emergency, turn off the equipment. Immediately disconnect it from the power supply. Do not open the doors of equipment until the temperature falls to room temperature, in order to prevent burns or injury.

12. Naked flames must not be used as a light source for inspecting and checking equipment.

13. Never use caustic solvents, which may damage materials of the pneumatic system

14. After performing installation or other work, ensure that no instruments, rags or spare parts have been left inside the equipment.

15. Pay particular attention to the safety-relief valves. Thoroughly inspect them and remove any dust and dirt. They must not be allowed to suffer any loss in function under any circumstances. Remember that your safety depends on their functionality!

16. Before beginning work in normal mode after maintenance or repair work, check that the working pressure, temperature and other characteristics are correctly set. Ensure that all control devices are installed and functioning properly.

17. When replacing filters, separators etc., wipe away dust, dirt and oil residue from the area where they are installed with a dry cloth.

18. Protect the motor, air filter, electrical components and control components etc. from coming into contact with condensate. For instance, blow down with dry air.

19. Safety precautions for operation with refrigerants:

- Never inhale refrigerant vapours. Ensure that the work zone is properly ventilated; use a respirator if necessary;
- Always wear special-purpose gloves. If the refrigerant comes into contact with skin, rinse the area of contact with plenty of water. If refrigerant comes into contact with skin through clothing, do not try to remove clothing. Thoroughly rinse clothing with fresh water until the refrigerant is washed off. Then seek medical assistance.

20. Use protective gloves during installation and repair work in order to avoid burns and injury (for instance, during oil change).

2. Technical data and functional description

	<p>Entitlement to free handling of faults arising during the guarantee period is forfeited when:</p> <ul style="list-style-type: none"> - No warranty service coupon for the compressor or it is filled out incorrectly - No records for the compressor's scheduled maintenance are entered in the compressor's service book - Unoriginal parts and lubricants are used
---	--

2.1 Technical data

Model	RDX04	RDX06	RDX09	RDX12	RDX18
Article	14310000	14310001	14310002	14310003	14310004
Capacity*, (m ³ /min)	0,4	0,6	0,9	1,2	1,8
Maximum working pressure, bar	16				
Maximum inlet temperature of compressed air, °C	+55				
Maximum ambient temperature, °C	+45				
Pressure dew point, °C	+3				
Type of refrigerant	R134a				
Quantity of refrigerant, kg	0,16	0,21	0,24	0,34	0,40
Thread connection	G1/2", internal thread				
Power supply	1/230 V – 50 Hz				
Power required, kW	0,13	0,16	0,18	0,27	0,29

Model	RDX24	RDX30	RDX36	RDX41
Article	14310005	14310006	14310007	14310008
Capacity*, (m ³ /min)	2,4	3,0	3,6	4,1
Maximum working pressure, bar	14			
Maximum inlet temperature of compressed air, °C	+55			
Maximum ambient temperature, °C	+45			
Pressure dew point, °C	+3			
Type of refrigerant	R404a			
Quantity of refrigerant, kg	0,35	0,35	0,46	0,46
Thread connection	G1", internal thread			
Power supply	1/230 V – 50 Hz			
Power required, kW	0,47	0,61	0,74	0,83

Model	RDX52	RDX65	RDX77
Article	14310009	14310010	14310011
Capacity*, (m ³ /min)	5,2	6,5	7,7
Maximum working pressure, bar	14		
Maximum inlet temperature of compressed air, °C	+55		
Maximum ambient temperature, °C	+45		
Pressure dew point, °C	+3		
Type of refrigerant	R404a		
Quantity of refrigerant, kg	0,52	0,65	0,77
Thread connection	G1 1/2", internal thread		
Power supply	1/230 V – 50		
Power required, kW	0,95	1,15	1,5

Model	RDX100	RDX120	RDX150	RDX180
Article	14310012	14310013	14310014	14310015
Capacity*, (m ³ /min)	10,0	12,0	15,0	18,0
Maximum working pressure, bar	14			
Maximum inlet temperature of compressed air, °C	+55			
Maximum ambient temperature, °C	+45			
Pressure dew point, °C	+3			
Type of refrigerant	R404a			
Quantity of refrigerant, kg	1,00	1,10	1,50	1,80
Thread connection	G2 1/2", internal thread			
Power supply	3/380 V – 50 Hz			
Power required, kW	2,1	2,2	2,5	3,0

* In conformity with ISO 7183 under standard operating conditions:
working pressure 7 bar, ambient temperature +25 °C, compressed air inlet temperature +35 °C.

2.2 Function

RDX series compressed air refrigerating dryers are designed for removing condensate from compressed air entering the compressed-air line from a compressor.

Air drying takes place by means of cooling the flow of compressed air to a temperature at which water vapour, present in the compressed air, reaches saturation point (dew-point) and turns from gaseous state to liquid. Condensate formed this way is extracted by the condensate drain valve, which is actuated at set intervals on a time relay.

2.3 Functional description

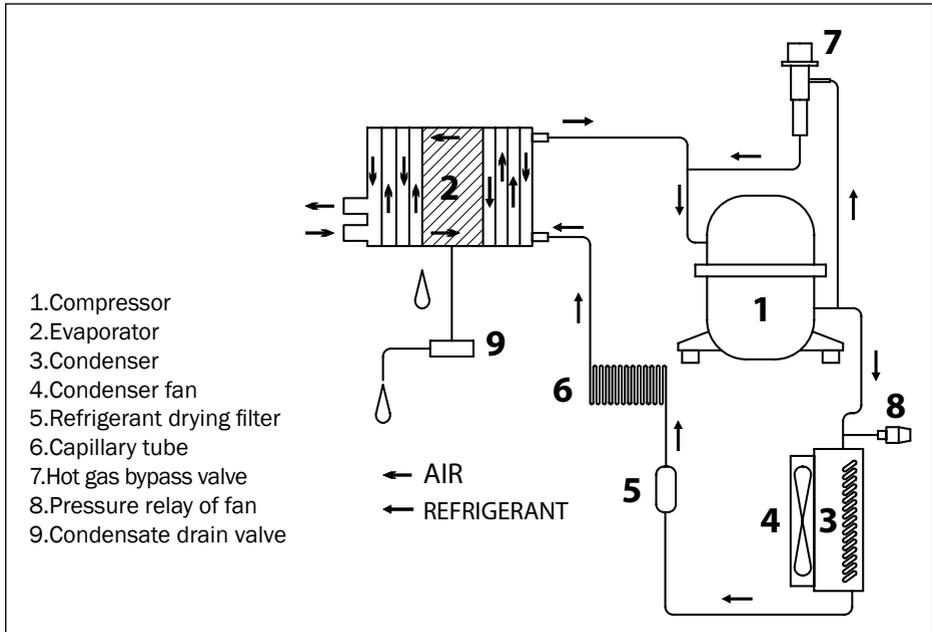


Fig. 2.1 Flow chart of compressed air dryer

Compressor (1) injects hot refrigerant into condenser (3), where a large amount of the refrigerant is turned into liquid form. The liquid refrigerant passes via the filter (5) into the capillary tube (6). After passing through the capillary tube (6) and before entering the evaporator (2), the pressure of the liquid refrigerant is lowered to boiling pressure with a change from liquid to gaseous form. The refrigerant in the evaporator (2) receives the heat from the compressed air by means of heat exchange and fully changes to a gaseous state. The compressed air cools to dew-point $+3^{\circ}\text{C}$ by means of heat exchange. The water vapour present in the compressed air is condensed. The condensate formed is extracted by the condensate drain valve (9). Hot refrigerant enters the suction line of the compressor (1) from the evaporator (2) and the cycle repeats itself. In order to stabilize the pressure of the refrigerant in the condenser (3), a pressure relay (8) is installed, which controls function of the fan (4). If the pressure in the evaporator (2) drops (insufficient quantity of compressed air enters the dryer, no-load operation) a hot gas bypass valve is activated and it allows pressure in the evaporator to drop lower than the defined level.

2.4 Conversion table of performance for different operating conditions

RDX refrigerated dryers are designed in conformity with ISO 7183 under standard operating conditions: working pressure 7 bar, ambient temperature +25 °C, compressed air inlet temperature +35 °C.

Any deviation from standard conditions requires dryer size adjustments.

Use Correction Factor tables to help determine dryer size.

Maximum working pressure, MPa	0	0,1	0,2	0,4	0,6	0,7	0,8	1,0	1,2	1,4	1,6
F1	X	X	X	1,25	1,06	1,00	0,96	0,90	0,86	0,82	0,8

Maximum inlet temperature of compressed air, °C	+30	+35	+40	+45	+50	+55
F2	0,85	1,00	1,18	1,39	1,67	2,00

Ambient Temperature, °C	+20	+25	+30	+35	+40	+45
F3	0,92	1,00	1,07	1,14	1,22	1,3

Capacity = Capacity at standard operating conditions x F1 x F2 x F3

3. Start-up

3.1 Acceptance of dryer

The dryer is packaged in a cardboard box.



If the equipment is delivered during the winter months, then the equipment should be kept in a warm facility for no fewer than 12 hours before the packaging is removed after unloading. This will prevent condensate from reaching the equipment's internal components.

Upon delivery and unloading of the dryer, inspect the packaging for damage. Remove the packaging, inspect the dryer for damage. Pay close attention to the control panel.



If above-mentioned defects are found, contact the supplier of your dryer for explanation of further action.

3.2 Dimensions of dryer

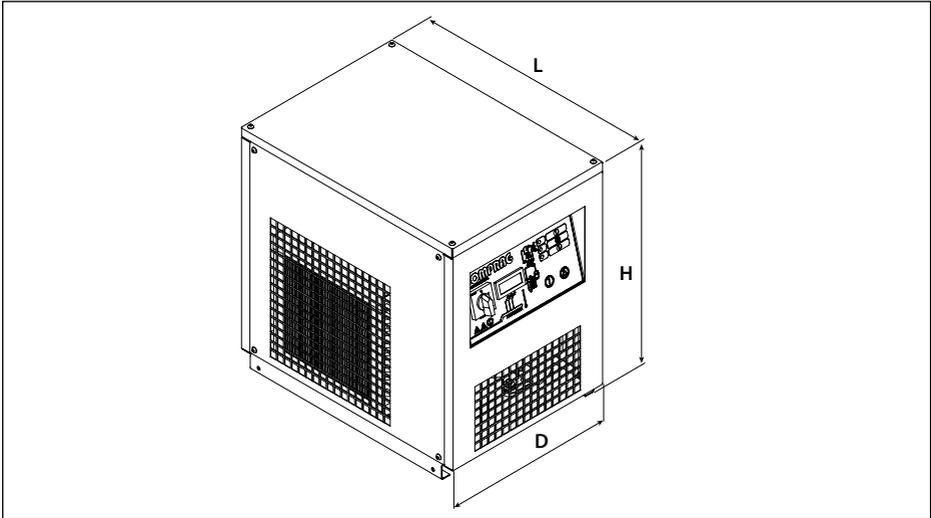


Fig. 3.1 Dryer dimensions

Model	Dryer				Dryer (packaged)			
	Height H, mm	Width D, mm	Length L, mm	Mass, kg	Height, mm	Width, mm	Length, mm	Mass, kg
RDX04	501	360	518	34	650	404	544	40
RDX06				35				41
RDX09				36				42
RDX12				36				42
RDX18				38				44
RDX24	808	508	554	47	969	670	560	53
RDX30				52				58
RDX36				60				66
RDX41				65				71
RDX52				72				79
RDX65	890	512	562	75	1055	650	563	82
RDX77				86				93
RDX100				172				177
RDX120	1150	850	800	175	1373	926	926	182
RDX150				180				185
RDX180				183				188

3.3 Preparation of facility

Remove the dryer from the pallet.

Ensure that the floor of the facility can withstand the weight of the dryer. Install the dryer on a level surface that is able to bear its weight.

Regulate the horizontal axis of the dryer using a leveling instrument. The gradient from the horizontal surface must not exceed 3°. Install the dryer in a facility in which precipitation cannot permeate. Choose a facility for installing the dryer with a minimum level of dust.

Install the dryer at least 1.5 m from a wall. A minimum 0.5 m should be allowed between the rear side of the dryer and a wall. The facility in which the dryer is installed must be good ventilated or fitted with a combined extract-and-input ventilation system.

3.4 Preparation of compressed-air line

Connect the dryer to the compressed-air line. Provide the throughput capacity of the compressed-air line in accordance with the capacity of the dryer.

	All components of the compressed air line must have a working pressure no less than the dryer's nominal pressure.
---	---

Connection symbols			
	IN		OUT

3.5 Electrical connection

Electric schematic diagram RDX 04-77

K1	Contactar	M1	Compressor
S1.1, S1.2, H1.3	Start/Stop Button	M2	Fan
F1	Fuse	A1	Condensate drain valve
V1	Plug	S1	Fan pressure switch

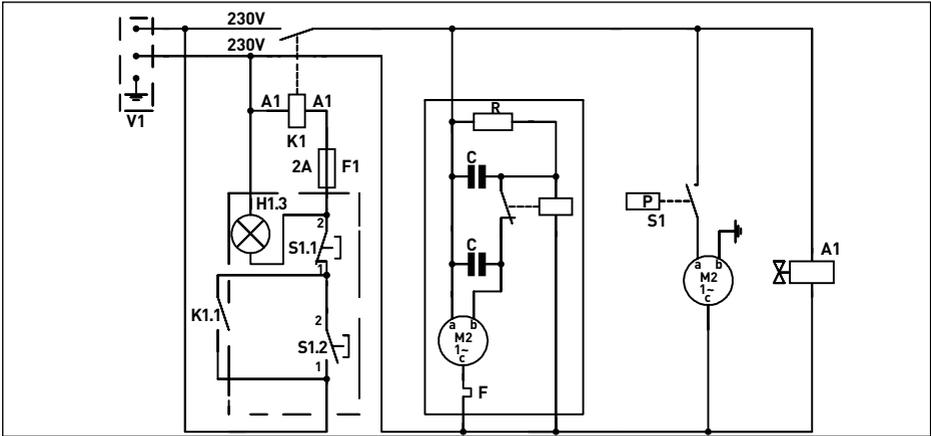


Fig.3.5.1 V.2 Electric schematic diagram RDX 04-77

Electric schematic diagram RDX 100-180

K1	Contactor	V1	Plug
K2	Contactor	S3	Pressure switch HP failure
M1	Compressor	S2	Pressure switch LP failure
M2	Fan	TN1	Overload relay
A1	Condensate drain valve	Q1	Main switch
S1	Fan pressure switch	R	Controller board
F1, F2	Fuse	K5	Timing switch

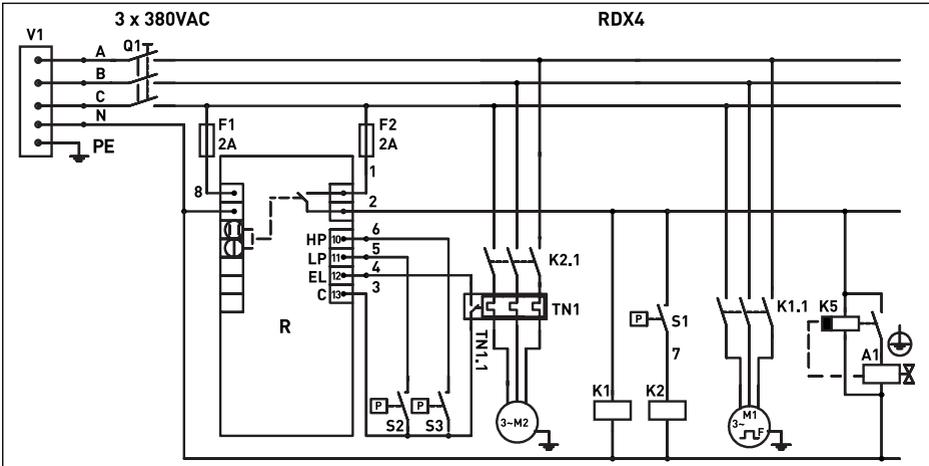


Fig.3.5.2 V.2 Electric schematic diagram RDX 100-180

4. Usage

4.1 Control panel

The control panel of the dryer comprises a main switch, start and stop buttons, dew-point indicator and system state indicators.

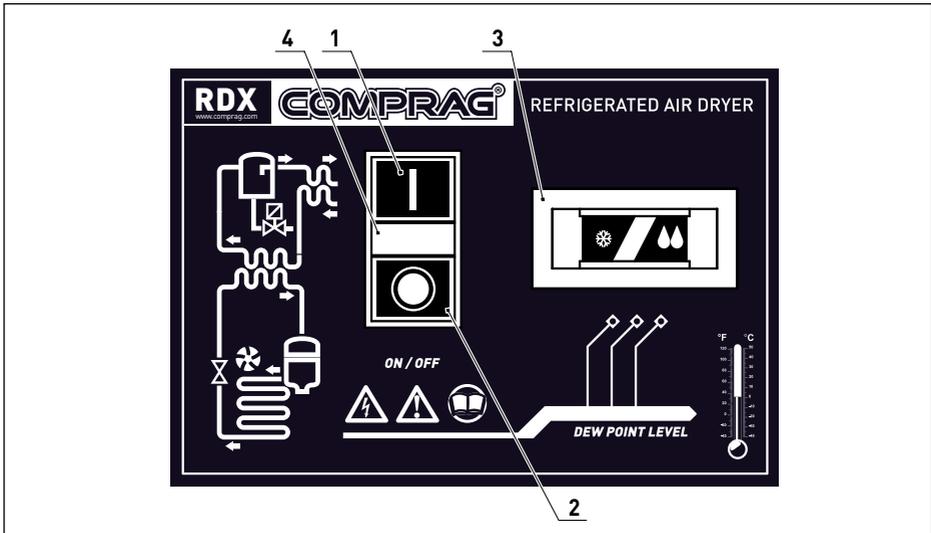


Fig. 4.1.1 V.2 RDX 04-18 control panel

- Pos. 1** Dryer ON Button
- Pos. 2** Dryer OFF Button
- Pos. 3** Dew-point indicator
- Pos. 4** Dryer ON Indicator

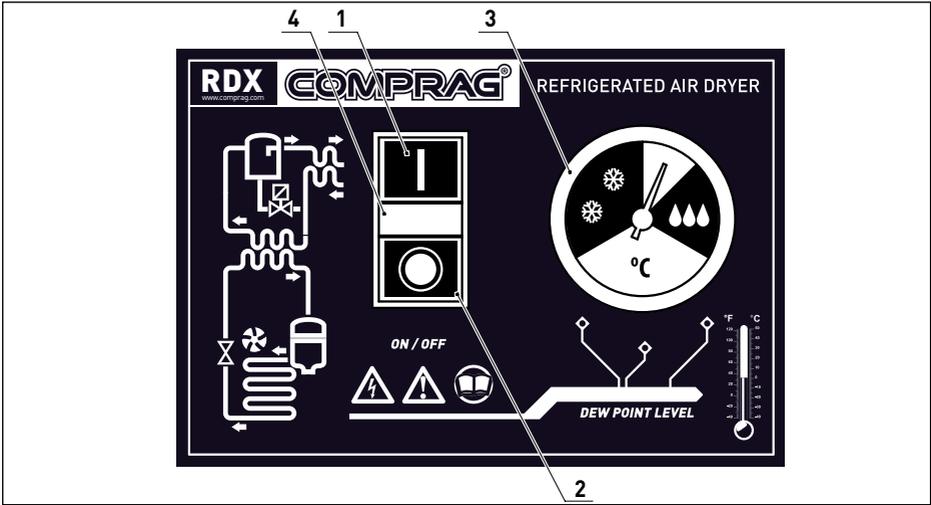


Fig. 4.1.2 V.2 RDX-24-77 control panel

- Pos. 1** Dryer ON Button
- Pos. 2** Dryer OFF Button
- Pos. 3** Dew-point indicator
- Pos. 4** Dryer ON Indicator

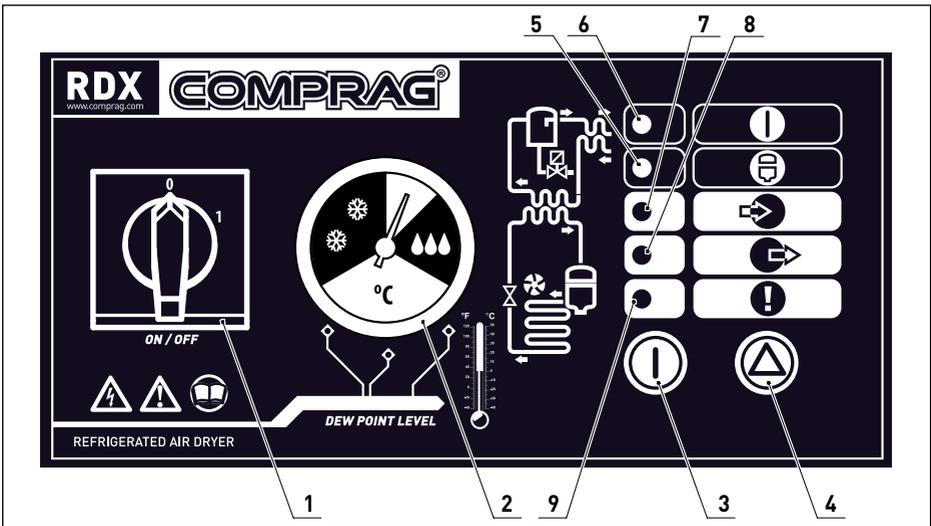


Fig. 4.1.3 V.2 RDX-100-180 control panel

- Pos. 1** Main switch
- Pos. 2** Dew-point indicator
- Pos. 3** Dryer ON button
- Pos. 4** Dryer OFF button
- Pos. 5** Dryer ON indicator green
- Pos. 6** Compressor ON indicator yellow
- Pos. 7** Low pressure failure
- Pos. 8** High pressure failure
- Pos. 9** Electric failure

Dew-point indicator

The dew-point indicator has 3 zones:

- Green zone – optimum operating mode
- Orange zone – system overcooled
- Red zone – system overheated

REFRIGERANT PRESSURE RELAY S1-S2-S3

In order to ensure safe operation and integrity of the dryer, several pressure relays are installed in the refrigerant gas circuit.

S1: The fan pressure relay is arranged on the discharge side of the compressor. It is used to maintain constant temperature and condensate pressure within preset values (air cooling).

Pressure value: R 134.a Start-up at 12 bar (50,0 °C) – Shutdown at 9 bar (40,0 °C).

R 134.a Start-up at 23 bar (52,0 °C) – Shutdown at 19 bar (44,0 °C) – Deviation ±1 bar

S2: The low-pressure relay is arranged on the suction side (crankcase) of the compressor. It is actuated if the pressure falls below the preset value. It is automatically reset when the nominal pressure value is reached.

Pressure value: R 404 A Shutdown at 1.5 bar (-24,7 °C) – Start-up at 5.5 bar (2,5 °C).

S3: The high-pressure relay is arranged on the discharge side of the compressor and is actuated if the pressure exceeds the preset value. Attention: After a “high pressure error” occurs, the dryer blocks a restart attempt as this recurring error may cause damage to the dryer. It is manually reset using the button on the actual pressure relay. In order to do this, unscrew the left panel and press the discharge button, as shown in figure 4.1.3. The cause of the error needs to be remedied before it can be unblocked.

Pressure value: R 404 A Shutdown at 30 bar (64,2 °C) - Manual start-up at 24 bar (54,0 °C).

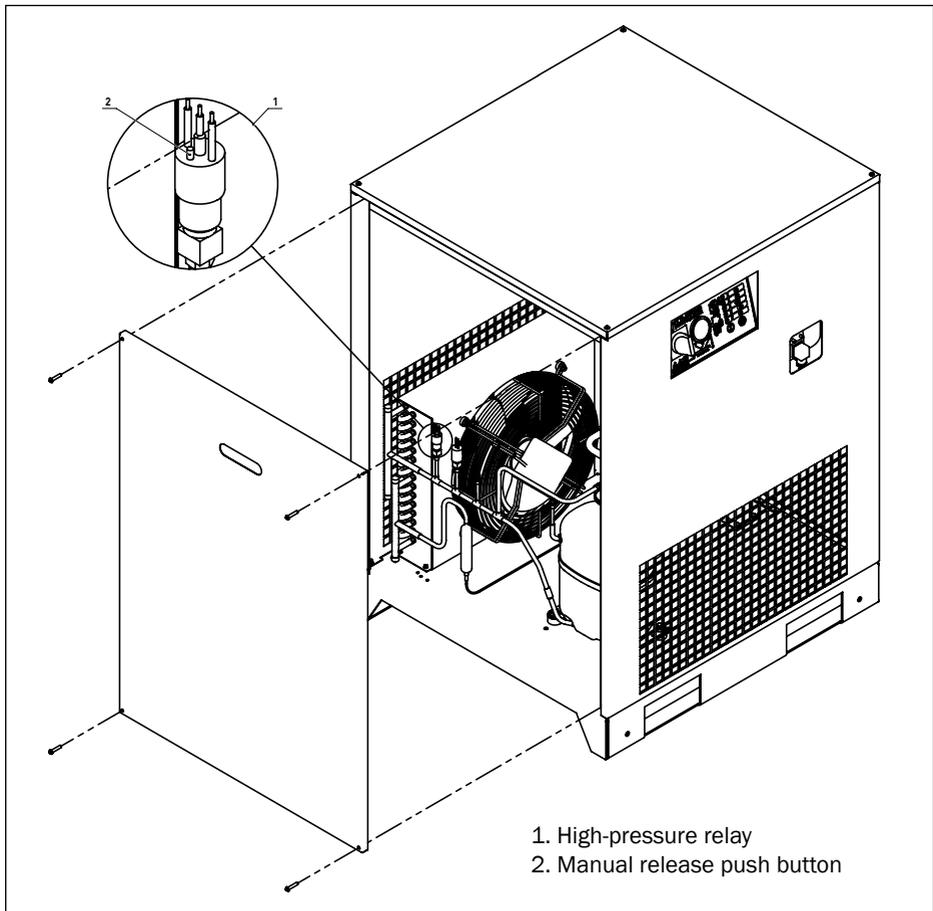


Fig. 4.1.3 Reset of high-pressure relay

4.2 Before use and on a weekly basis

Ensure the dryer's power cable is intact.

Ensure that the compressed air hoses are connected to the compressed air inlet and outlet of the dryer.

4.3 Turning on dryer



Do not permit unqualified personnel to use the dryer

1. Turn the main switch from position "0" to position "1".
2. The indicator 'Dryer ON' lights up.
3. Press the Start button.

4.4 Turning off dryer



Do not turn off the dryer if the compressed air system is under pressure.

The dryer is turned off by pressing the Dryer OFF button on the control panel and turning the main switch from position "1" to position "0".

After turning the main switch from position "1" to position "0", the status indicator on the control panel should go out.

5. Adjusting and maintenance

5.1 Hot gas bypass valve adjustment

At partial load, the valve directly returns a part of the hot gas to the suction line of the refrigerating compressor.

The evaporation temperature and the evaporation pressure remain constant.

The hot gas by-pass valve is adjusted during the manufacturing testing phase.

As a rule no adjustment is required.

Anyway if it is necessary, the adjustment must be carried out by an experienced refrigerating engineer.

Without compressed air flow through the dryer, rotate the adjusting screw (position A on the drawing) until the following value is reached:

Hot gas bypass valve setting:

R134a - 2,2 bar (+0,1/-0)

R404a - 5,4 bar (+0,1/-0)

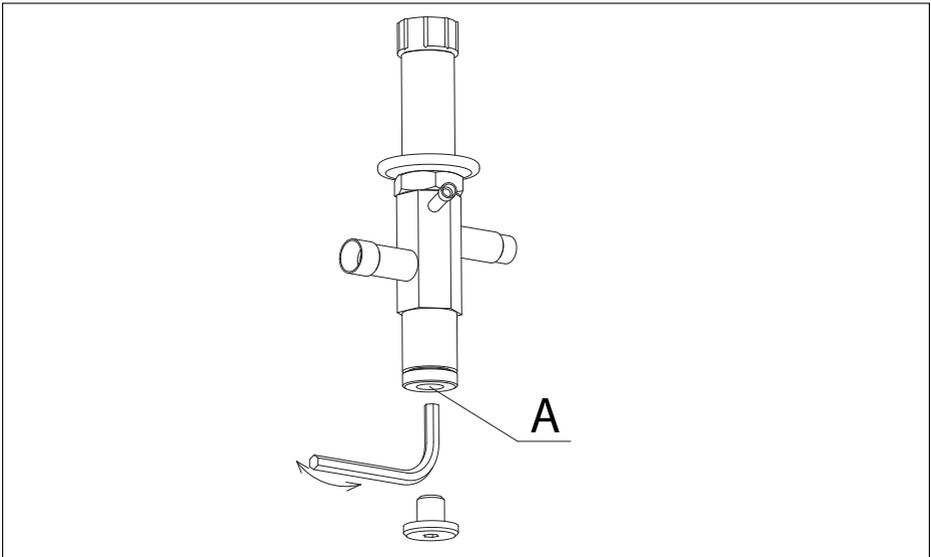
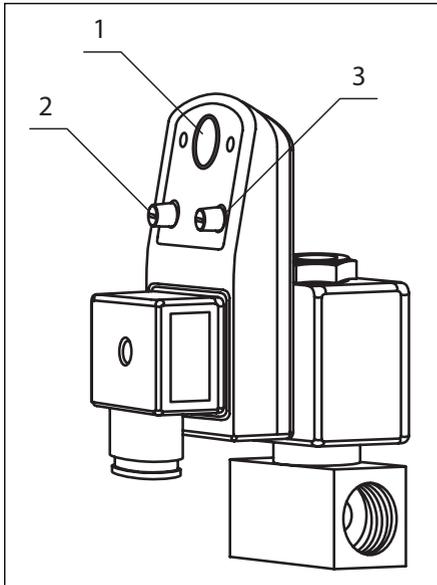


Fig. 5.1. Bypass valve. A – Regulating screw.

5.2 Condensate drain valve adjustment



1. TEST button
2. Regulating knob, opening duration
3. Regulating knob, opening frequency

Fig. 5.2 Drain valve

An automatic condensate drain valve is installed on the rear of the dryer RDX04-18 casing and on the front of the dryer RDX24-180 casing and can be accessed via a port.

The condensate drain valve should be set up so that water can be fully removed from the dryer's heat exchanger.

The condensate drain valve has a TEST button (for checking functionality) and 2 knobs for adjusting condensate discharge.

For forced discharge of condensate, press the TEST button (1) for several seconds, but no more than 10.

Setting frequency of condensate discharge:

The left regulating knob (2) sets the duration for opening of the valve from 0.5 to 10 seconds.

The right regulating knob (3) sets the frequency for opening the valve from 0.5 to 45 minutes.

5.3 Cleaning condenser

The inner cavities of the dryer and condenser should be cleaned once a week.

The condenser (20) situated on the left inside the dryers RDX04-18, on rear side dryers RDX24-180, should be cleaned by blowdown with compressed air. The stream of compressed air should be directed in the opposite direction to the usual air flow and the angle between the air stream and the plane of the condenser must be approximately 90 degrees.

6. Fault handling

Problem.	Possible faults.	Corrective action.
No indication on the dryer's control panel.	No power supply.	Turn on power supply. Check integrity of power cable. Check the mains voltage.
There is indication on dryer's control panel, but the dryer is not working.	There's no current in the mains power supply.	Check the mains power supply and rectify the fault.
The dew point indicator is in the yellow zone.	The system has supercooled.	Adjust the refrigerant bypass valve.
	Low flow rate of compressed air.	
The low-pressure relay has been actuated.	Leakage of refrigerant from the circuit.	Check. Refill, if necessary. See point 4.1. It is broken and needs replacing.
	The ambient temperature is too low.	Raise the ambient temperature.
	The pressure at the inlet of compressed air is too low.	If possible, try to increase the working pressure.
The high-pressure relay has been actuated.	The condenser fan isn't working.	Check the electric wiring. Check the contactor switch. Replace the fan.
	The ambient temperature is too high.	Ensure appropriate ventilation.
	The condenser is dirty.	Clean the condenser (see 5.3).
	The pressure at the inlet of compressed air is too high.	If possible, try to lower the working pressure.
Compressor won't start.	Power supply of compressor is interrupted	Check power supply.
	Thermal protection of refrigerant compressor turned off.	Reset the thermal protection.
	Dryer switched on again too soon and insufficient time for pressure equalization.	Wait several minutes and turn on dryer again.
Condensate drain idle.	Condensate drain valve fault.	Check the condensate drain valve.

7. Storage

The dryer should be stored at a temperature between +5° and +45°C with max. 85% relative humidity

1	Sicherheitsrichtlinien	26
1.1	Symbolerklärung	26
1.2	Allgemeine Sicherheitsrichtlinien	26
1.3	Sicherheitshinweise für die Inbetriebnahme	27
1.4	Sicherheitshinweise für den Betrieb	28
1.5	Sicherheitshinweise für die Wartung und Reparatur	29
2	Technische Daten und Funktionsbeschreibung	31
2.1	Technische Daten	31
2.2	Funktionsweise	32
2.3	Funktionsbeschreibung	33
2.4	Anpassung des Volumenstroms für die unterschiedlichen Betriebsbedingungen	34
3	Inbetriebnahme	34
3.1	Entgegennahme des Kältetrockners	34
3.2	Abmessungen des Kältetrockners	35
3.3	Voraussetzungen für die Installation am Einsatzort	36
3.4	Anbindung an die Druckluftleitung	36
3.5	Schaltplan	36
4	Anwendung	38
4.1	Bedienfeld	38
4.2	Vor dem Gebrauch und wöchentlich zu überprüfen	42
4.3	Einschalten des Kältetrockners	42
4.4	Abschalten des Kältetrockners	42
5	Einstellungen und Wartung	43
5.1	Einstellungen des Heißgas-Bypassventils	43
5.2	Einstellungen des Kondensat-Ablassventils	44
5.3	Reinigung des Kältetrockners und Verflüssigers	45
6	Fehlerbehebung	45
7	Lagerung	46
	EC Declaration of conformity Directive 2006-42-EG	73

1. Sicherheitsrichtlinien

1.1 Symbolerklärung

	Lebensgefahr
	Warnung.
	Achtung

1.2 Allgemeine Sicherheitsrichtlinien

	Machen Sie sich sorgfältig mit den technischen Dokumenten, Betriebsanleitungen und Sicherheitsrichtlinien vertraut. Ein Großteil der Unfälle im Umgang mit Kompressoranlagen ist auf Nichteinhaltung von Sicherheitsrichtlinien zurückzuführen. Vermeiden Sie unnötige Risiken und halten Sie sich an die Sicherheitsrichtlinien. Die wichtigsten Regeln sind im Folgenden beschrieben.
---	---

	Der Benutzer trägt die volle Verantwortung für Verletzungen oder Schäden, die während der Montage, des Betriebs, der Wartung sowie aufgrund von unberechtigter Nutzung der Anlage auftreten.
---	--

- 1 Der Betreiber hat die in diesen Anweisungen sowie in den geltenden gesetzlichen Vorschriften enthaltenen Sicherheitsrichtlinien genauestens einzuhalten!
2. Bei Überschneidungen der Sicherheitsrichtlinien mit der örtlichen Gesetzgebung gelten stets die strengeren Vorschriften.
3. Nur Wartungspersonal mit entsprechender Berufsausbildung ist es gestattet, Comrag-Anlagen zu bedienen, zu warten und zu reparieren.
4. Druckluft, die direkt vom Kompressor kommt, kann Öl und Verunreinigungen enthalten und

ist nicht als Atemluft geeignet! Druckluft muss in Übereinstimmung mit den geltenden gesetzlichen Vorschriften auf einen zur Atmung geeigneten Luftreinheitsgrad gebracht werden.

5. Druckluft ist eine äußerst gefährliche Energiequelle. Druckluft darf niemals unsachgemäß verwendet werden! Verwenden Sie niemals Druckluft, um Kleidung oder Schuhe zu reinigen und zielen Sie mit Druckluftschläuchen niemals auf Menschen oder Tiere! Bei der Reinigung von Geräten mit Druckluft ist äußerste Vorsicht geboten. Tragen Sie dabei immer eine Schutzbrille!

6. Wartungs-, Reparatur-, Aufbau-, und Montagearbeiten dürfen nur durchgeführt werden, wenn das Gerät ausgeschaltet ist, von der Stromquelle getrennt ist, die Druckluftschläuche vom Gerät getrennt sind und beteiligte Personen Schutzbrillen tragen. Stellen Sie sicher, dass die Anlage vom Druckluftsystem getrennt ist und nicht unter Druck steht.

1.3 Sicherheitshinweise für die Inbetriebnahme



Der Benutzer trägt die volle Verantwortung für Verletzungen oder Schäden, die während der Montage, des Betriebs, der Wartung sowie aufgrund von unberechtigter Nutzung der Anlage auftreten.

1. Anlagen dürfen ausschließlich mit entsprechenden Handhabungsgeräten oder Kränen auf-/abgeladen werden. Anlagen dürfen nicht von Hand angehoben oder bewegt werden. Anlagen niemals an Hebezeugen o. Ä. hängen lassen. Beim Abladen immer einen Helm tragen.
2. Stellen Sie die Anlagen in einem trockenen und sauberen Gebäude auf, wo sie vor Niederschlag geschützt sind. Das Gebäude muss ausreichend und bei Bedarf durch Fremdbelüftung belüftet sein.
3. Abgenutzte, beschädigte oder defekte Druckluftschläuche dürfen nicht verwendet werden. Stellen Sie sicher, dass die verwendeten Schläuche hinsichtlich Durchmesser und Betriebsdruck für die jeweiligen Geräte geeignet sind.
4. Sind in einem System mehrere Kompressorstationen vorhanden, benötigt jeder Kompressor ein von Hand betätigtes Ventil zum Abschalten der einzelnen Kompressoren für Notfälle.
5. Explosive und leicht entzündliche Substanzen wie Lösungsmitteldämpfe, Kohlenstaub etc. dürfen keinesfalls in die Atmosphäre freigesetzt werden.
6. Sorgen Sie für ungehinderten Zugang zum Druckluftschlauch vom Kompressor. Der Schlauch sollte nicht verdeckt sein und es dürfen keine brennbaren Materialien in unmittelbarer Nähe gelagert werden.
7. Druckluftschläuche dürfen nicht gequetscht oder verformt werden.
8. Lüftungsöffnungen von Anlagen dürfen nicht abgedeckt werden. Achten Sie darauf, dass das Gebäude gut belüftet ist.
9. Bei Verwendung einer Fernsteuerung muss folgende Warnung gut sichtbar und lesbar am Gerät vorhanden sein: „**ACHTUNG:** Diese Maschine ist ferngesteuert und kann ohne

Vorwarnung anlaufen!“ Ein Bediener, der das Gerät fernsteuert, muss sicherstellen, dass zu dem Zeitpunkt keine Montage- oder anderen Arbeiten an der Anlage durchgeführt werden. Wurde das Gerät per Fernsteuerung abgeschaltet, muss der Bediener sicherstellen, dass das Gerät auch tatsächlich ausgeschaltet ist!

10. Anlagen müssen geerdet sein. Kurzschlusschutzvorrichtungen müssen vorhanden sein. Der Not-Aus-Taster muss sich in unmittelbarer Nähe des Geräts befinden und gegen unberechtigte Inbetriebnahme schützen.



Der Benutzer trägt die volle Verantwortung für den ordnungsgemäßen Betrieb des in der Anlage vorhandenen Elektromotors.

Anlagen sind nur mit entsprechenden Schutzvorrichtungen zu betreiben.

Die Schutzvorrichtungen müssen den Elektromotor vor Kurzschlüssen, Überlast (systematisch und bei der Inbetriebnahme) und Phasenausfall schützen.

Die Montage von Schutzvorrichtungen liegt in der Verantwortung des Benutzers.

11. Bei Geräten mit einem unabhängigen Steuersystem mit automatischer Neustartfunktion muss neben dem Bedienfeld folgender Hinweis stehen: „ACHTUNG: Diese Maschine kann ohne Vorwarnung anlaufen!“

12. Sämtliche Tanks und Behälter, die unter Druck stehen, müssen mit Sicherheitsventilen ausgestattet sein! Die unerlaubte Montage, Demontage oder Verstellung der vorhandenen Sicherheitsventile ist nicht gestattet.

1.4 Sicherheitshinweise für den Betrieb



Der Benutzer trägt die volle Verantwortung für Verletzungen oder Schäden, die während der Montage, des Betriebs, der Wartung sowie aufgrund von unberechtigter Nutzung der Anlage auftreten.

1. Stellen Sie sicher, dass die verwendeten Schläuche hinsichtlich Durchmesser und Betriebsdruck für die jeweiligen Geräte geeignet sind. Überprüfen Sie die einzelnen Schlauchanschlüsse vor der Inbetriebnahme auf festen Sitz. Eine lose Schlauchverbindung kann schwere Verletzungen verursachen.

2. Anlagen niemals einschalten, wenn leicht entzündliche Luftverunreinigungen vermutet werden.

3. Der Bediener, der das Gerät fernsteuert, muss sicherstellen, dass zu dem Zeitpunkt keine Montage- oder anderen Arbeiten an der Anlage durchgeführt werden. Folgender Warnhinweis muss gut sichtbar am Gerät angebracht sein: „ACHTUNG: Diese Maschine ist ferngesteuert und kann ohne Vorwarnung anlaufen!“

4. Das Gerät darf keinesfalls bei Müdigkeit sowie nach dem Konsum von Alkohol, Drogen

oder Medikamenten, die die Reaktionszeit reduzieren, verwendet werden.

5. Das Gerät darf nicht betrieben werden, wenn Teile des Gehäuses entfernt wurden. Türen oder Abdeckungen dürfen zu Prüfzwecken und für geplante Kontrollen kurzzeitig geöffnet werden. Gehörschutz wird dringend empfohlen.



Bei manchen Geräten können offene Türen oder fehlende Abdeckungen während des Betriebs zu Überhitzung führen.

6. Bei Arbeiten unter Betriebsbedingungen oder in Gebäuden, in denen der Schalldruckpegel 90 dB (A) oder mehr erreicht, muss Gehörschutz getragen werden.

7. Wird beim Heizen des Gebäudes Druckluft zur Anlagenkühlung verwendet, muss die Luft gefiltert werden, damit sie zum Atmen geeignet ist.

8. Folgende Punkte sind regelmäßig zu kontrollieren:

- Vorhandensein von Sicherheitsvorrichtungen und -geräten
- Zustand und Dichtigkeit sämtlicher Schläuche und Rohrleitungen
- Lecks
- Festigkeit von Halterungen und Strukturbauteilen
- Zustand und Sicherheit der elektrischen Leitungen und Kontakte
- Funktionstüchtigkeit und Sauberkeit von Sicherheitsvorrichtungen
- Funktionstüchtigkeit von Strukturbauteilen und Anzeichen von Verschleiß

1.5 Sicherheitshinweise für die Wartung und Reparatur



Der Benutzer trägt die volle Verantwortung für Verletzungen oder Schäden, die während der Montage, des Betriebs, der Wartung sowie aufgrund von unberechtigter Nutzung der Anlage auftreten.

1. Es sind ausschließlich original Ersatz- und Zusatzteile zugelassen. Die Verwendung von Ersatzteilen anderer Hersteller kann zu unvorhersehbaren Ergebnissen und somit zu Unfällen führen.

2. Bei Montage- und Reparaturarbeiten ist stets eine Schutzbrille zu tragen!

3. Vor dem Anschließen oder Trennen von Geräten sind diese vom Hauptdruckluftsystem zu trennen. Stellen Sie sicher, dass die Schläuche nicht unter Druck stehen!

4. Vor Beginn von Montagearbeiten oder sonstigen Arbeiten muss sichergestellt werden, dass die Anlage nicht unter Druck steht. Es dürfen niemals Montagearbeiten an Anlagen, die unter Druck stehen, durchgeführt werden.

5. Sämtliche Wartungsarbeiten dürfen erst ausgeführt werden, wenn die Bauteile auf Raumtemperatur abgekühlt sind.

6. Verwenden Sie niemals leicht entzündliche Lösungsmittel oder Tetrachlormethan zur Reinigung von Strukturbauteilen. Treffen Sie entsprechende Vorkehrungen gegen giftige Dämpfe von Reinigungsmitteln.
7. Während Montage- und Reparaturarbeiten sollte ein Hinweisschild am Bedienfeld angebracht sein, das vor unbefugtem Einschalten warnt. Beispiel: „Nicht einschalten. Gefahr für Bedienpersonal!“
8. Der Bediener, der das Gerät fernsteuert, muss sicherstellen, dass zu dem Zeitpunkt keine Montage- oder anderen Arbeiten an der Anlage durchgeführt werden. Folgender Warnhinweis muss gut sichtbar am Gerät angebracht sein: Siehe 1.3.9.
9. Halten Sie das Gebäude, in dem das Gerät steht, sauber. Schließen Sie offene Zu- und Abläufe während der Montage mit trockenen Lappen oder Papier, um zu verhindern, dass Schmutz in die Anlage gelangt.
10. Schweißarbeiten oder ähnliche Arbeiten dürfen nicht in unmittelbarer Nähe von Anlagen und Behältern, die unter Druck stehen, durchgeführt werden.
11. Schalten Sie die Anlage bei Verdacht auf Überhitzung, Entzündung sowie in anderen Notsituationen umgehend aus. Schalten Sie die Anlage sofort stromlos. Öffnen Sie Türen der Anlage erst, wenn sie sich auf Raumtemperatur abgekühlt hat, um Verbrennungen oder Verletzungen zu vermeiden.
12. Offene Flammen dürfen nicht als Lichtquelle für Inspektionen und Kontrollen der Anlage genutzt werden.
13. Verwenden Sie niemals ätzende Lösungsmittel, die Materialien im Druckluftsystem beschädigen könnten.
14. Stellen Sie nach Montagearbeiten oder anderen Arbeiten sicher, dass keine Werkzeuge, Lappen oder Ersatzteile im Gerät zurückgelassen wurden.
15. Achten Sie besonders auf die Sicherheitsventile. Kontrollieren Sie sie gründlich und entfernen Sie Staub und Schmutz. Ihre Funktion darf unter keinen Umständen beeinträchtigt sein. Denken Sie immer daran, dass Ihre Sicherheit von ihrer Funktionstüchtigkeit abhängt!
16. Stellen Sie nach Wartungs- oder Reparaturarbeiten und vor Beginn des Betriebs im normalen Modus sicher, dass der Betriebsdruck, die Temperatur und andere Merkmale richtig eingestellt sind. Stellen Sie sicher, dass alle Steuergeräte installiert sind und einwandfrei funktionieren.
17. Wischen Sie beim Wechsel von Filtern, Abscheidern usw. Staub-, Schmutz- und Ölablagerungen an der jeweiligen Stelle mit einem trockenen Tuch ab.
18. Schützen Sie Motor, Luftfilter, elektrische Komponenten, Steuerkomponenten usw. vor Kontakt mit dem Kondensat. Blasen Sie sie zum Beispiel mit trockener Luft ab.
19. Sicherheitshinweise für den Umgang mit Kältemittel:
 - Niemals Kältemitteldämpfe einatmen. Stellen Sie sicher, dass der Arbeitsbereich gut belüftet ist. Bei Bedarf Atemschutz tragen.
 - Tragen Sie immer Spezialhandschuhe. Wenn Kältemittel mit der Haut in Kontakt kommt, spülen Sie die betroffene Stelle mit reichlich Wasser ab. Wenn Kältemittel durch Kleidung hindurch mit der Haut in Kontakt kommt, versuchen Sie nicht, die Kleidung zu entfernen. Spülen Sie die Kleidung stattdessen gründlich mit klarem Wasser aus, bis das Kühlmittel ausgewaschen wurde. Suchen Sie anschließend einen Arzt auf.
20. Tragen Sie bei Montage- und Reparaturarbeiten (wie z. B. bei einem Ölwechsel) Schutzhandschuhe, um Verbrennungen und Verletzungen zu vermeiden.

2. Technische Daten und Funktionsbeschreibung



Die Garantie im festgelegten Zeitraum erlischt wenn:

- Der Gewährleistungsschein des Kompressors nicht vorhanden ist, oder wenn er fehlerhaft ausgefüllt ist
- Wenn die Wartungsarbeiten nicht ordnungsgemäß im Servicebuch vermerkt sind.
- Wenn bei Reparaturen keine Comprag-Originalteile oder Schmiermittel benutzt werden.

2.1 Technische Daten

Modell	RDX04	RDX06	RDX09	RDX12	RDX18
Artikel	14310000	14310001	14310002	14310003	14310004
Luftvolumenstrom* (m ³ /min.)	0,4	0,6	0,9	1,2	1,8
Maximaler Betriebsdruck, bar	16				
Maximale Eintrittstemperatur der komprimierten Luft, °C	+55				
Maximale Umgebungstemperatur, °C	+45				
Drucktaupunkt °C	+3				
Art des Kältemittels	R134a				
Menge des Kältemittels, kg	0,16	0,21	0,24	0,34	0,40
Schraubverbindung	G ½ ", Innengewinde				
Nennspannung (Phase/V/Hz)	1/230 V – 50 Hz				
Erforderliche Leistung, kW	0,13	0,16	0,18	0,27	0,29

Modell	RDX24	RDX30	RDX36	RDX41
Artikel	14310005	14310006	14310007	14310008
Luftvolumenstrom* (m ³ /min.)	2,4	3,0	3,6	4,1
Maximaler Betriebsdruck, bar	14			
Maximale Eintrittstemperatur der komprimierten Luft, °C	+55			
Maximale Umgebungstemperatur, °C	+45			
Drucktaupunkt °C	+3			
Art des Kältemittels	R404a			
Menge des Kältemittels, kg	0,35	0,35	0,46	0,46
Schraubverbindung	G1 ½ ", Innengewinde			
Nennspannung (Phase/V/Hz)	1/230 V – 50 Hz			
Erforderliche Leistung, kW	0,47	0,61	0,74	0,83

Modell	RDX52	RDX65	RDX77
Artikel	14310009	14310010	14310011
Luftvolumenstrom* (m ³ /min.)	5,2	6,5	7,7
Maximaler Betriebsdruck, bar	14		
Maximale Eintrittstemperatur der komprimierten Luft, °C	+55		
Maximale Umgebungstemperatur, °C	+45		
Drucktaupunkt °C	+3		
Art des Kältemittels	R404a		
Menge des Kältemittels, kg	0,52	0,65	0,77
Schraubverbindung	G1 ½ ", Innengewinde		
Nennspannung (Phase/V/Hz)	1/230 V - 50		
Erforderliche Leistung, kW	0,95	1,15	1,5

Modell	RDX100	RDX120	RDX150	RDX180
Artikel	14310012	14310013	14310014	14310015
Luftvolumenstrom* (m ³ /min.)	10,0	12,0	15,0	18,0
Maximaler Betriebsdruck, bar	14			
Maximale Eintrittstemperatur der komprimierten Luft, °C	+55			
Maximale Umgebungstemperatur, °C	+45			
Drucktaupunkt °C	+3			
Art des Kältemittels	R404a			
Menge des Kältemittels, kg	1,00	1,10	1,50	1,80
Schraubverbindung	G2 ½ ", Innengewinde			
Nennspannung (Phase/V/Hz)	3/380 V - 50 Hz			
Erforderliche Leistung, kW	2,1	2,2	2,5	3,0

*In Übereinstimmung mit ISO 7183 unter genormten Betriebsbedingungen:

Betriebsdruck 7 bar, Umgebungstemperatur +25 °C, Eintrittstemperatur der komprimierten Luft +35 °C.

2.2 Funktionsweise

Die Kältetrockner der RDX-Serie werde zur Entfernung von Prozesskondensat, aus der vom Kompressor erzeugten Druckluft eingesetzt.

Während des Lufttrocknungsprozesses wird die durchfließende Druckluft bis zum Taupunkt, wo der enthaltene Wasserdampf kondensiert, abgekühlt. Das entstandene Kondensat wird über das Ablassventil in zeitlich voreingestellten Zyklen aus der Druckluftleitung entfernt.

2.3 Funktionsbeschreibung

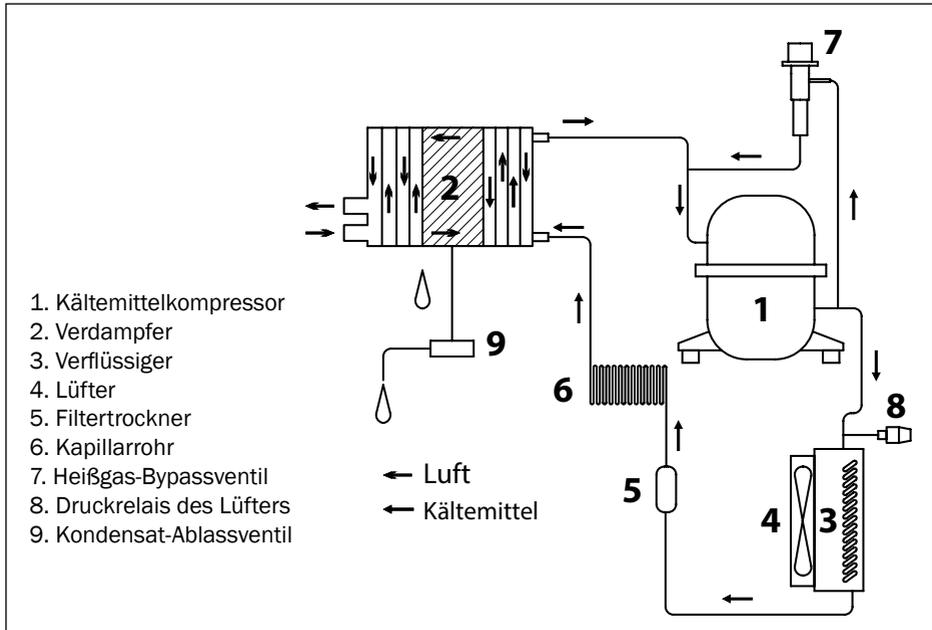


Abb. 2.1 Ablaufdiagramm des Kältetrockners

Der Kältemittelkompressor (1) verdichtet das gasförmige Kältemittel im Verflüssiger (3), wo der größte Teil des Kältemittels in die flüssige Phase übergeht.

Das verflüssigte Kältemittel wird durch die Filtertrockner (5) geleitet, über das Kapillarrohr (6) eingespritzt und verdampft im Verdampfer (2), wo es die Wärme der Druckluft aufnimmt. Aufgrund des Wärmetausches zwischen der Druckluft und dem Kältemittel geht das Kältemittel in den gasförmigen Zustand über. Dieser Zyklus wiederholt sich kontinuierlich.

Der Kältekreislauf ist mit einer Heißgas-Bypassregelung für die angepasste Kälteerzeugung an die wechselnden

Lastbedingungen ausgestattet. Mit sinkendem Druckluftbedarf öffnet das Heißgas-Bypassventil (7) und lässt die warme Luft von der Hochdruck- auf die Niederdruckseite strömen. Der Druck im Verdampfer wird konstant gehalten und lässt den Drucktaupunkt, um die Vereisung des Verdampfers zu verhindern, nie unter $+3^{\circ}\text{C}$ sinken.

2.4 Anpassung des Volumenstroms für die unterschiedlichen Betriebsbedingungen

Der Luftvolumenstrom bezieht sich auf einen Betriebsdruck von 7 bar, einer Druckluft-Temperatur am Trocknereintritt von 35 °C und einer Umgebungstemperatur von 25 °C gemäß DIN ISO 7183. Um den Volumenstrom bei realen Betriebsbedingungen am Trocknereintritt zu berechnen, nutzen Sie bitte folgende Korrekturkoeffizienten:

Maximaler Betriebsdruck, MPa (1 MPa = 10 bar)	0	0,1	0,2	0,4	0,6	0,7	0,8	1,0	1,2	1,4	1,6
F1	X	X	X	1,25	1,06	1,00	0,96	0,90	0,86	0,82	0,8

Maximale Eintrittstemperatur der komprimierten Luft, °C	+30	+35	+40	+45	+50	+55
F2	0,85	1,00	1,18	1,39	1,67	2,00

Maximale Umgebungstemperatur, °C	+20	+25	+30	+35	+40	+45
F3	0,92	1,00	1,07	1,14	1,22	1,3

Luftvolumenstrom (Kompressor) x F1 x F2 x F3 = Luftvolumenstrom (Trockner).

3. Inbetriebnahme

3.1 Entgegennahme des Kältetrockners

Der Kältetrockner ist in einer Kartonschachtel verpackt.



Wenn die Produkte während der Wintermonate ausgeliefert werden, sollten sie für mindestens 12 Stunden bei Raumtemperatur ruhen, bevor sie ausgepackt werden. Dies verhindert das sich Kondensat im Inneren der Produkte bildet.

Kontrollieren Sie den Kältetrockner nach der Anlieferung auf Beschädigungen. Achten Sie nach dem Auspacken besonders auf das Bedienfeld.



Wenn Beschädigungen entstanden sind, kontaktieren Sie Ihren Händler um ein weiteres Vorgehen zu klären.

3.2 Abmessungen des Kältetrockners

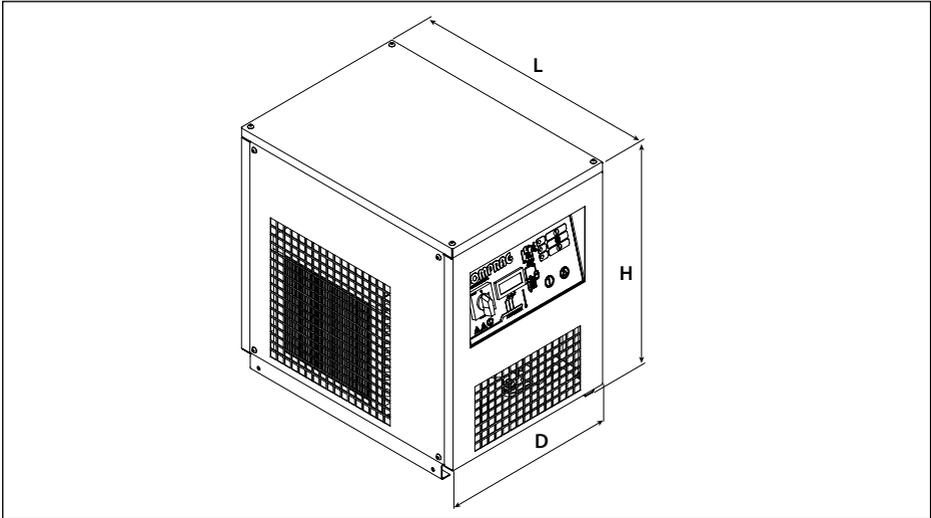


Abb. 3.1 Abmessungen des Kältetrockners

Modell	Kältetrockner				Kältetrockner (Verpackung)			
	Höhe (H), mm	Breite (D), mm	Tiefe (L), mm	Gewicht (kg)	Höhe (H), mm	Breite (D), mm	Tiefe (L), mm	Gewicht (kg)
RDX04	501	360	518	34	650	404	544	40
RDX06				35				41
RDX09				36				42
RDX12				36				42
RDX18				38				44
RDX24	808	508	554	47	969	670	560	53
RDX30				52				58
RDX36				60				66
RDX41				65				71
RDX52				72				79
RDX65	890	512	562	75	1055	650	563	82
RDX77				86				93
RDX100				172				177
RDX120	1150	850	800	175	1373	926	926	182
RDX150				180				185
RDX180				183				188

3.3 Voraussetzungen für die Installation am Einsatzort

Versichern Sie sich, dass der Untergrund am Einsatzort für das Gewicht des Kältetrockners ausgelegt ist. Der Winkel zur horizontalen Ebene des Untergrundes sollte nicht mehr als 3° betragen.

Installieren Sie den Kältetrockner an dem Platz mit den geringsten Verunreinigungen und der geringsten Feuchtigkeit.

Montieren Sie den Kältetrockner 1,5 m, mindestens 0,5 m von den Wänden entfernt. Der Standort des Kältetrockners sollte mit einem kombinierten Be- und Entlüftungssystem ausgestattet sein

3.4 Anbindung an die Druckluftleitung

Schließen Sie den Kältetrockner an die Druckluftleitung an und vergewissern Sie sich, dass die abgegebene Leistung und der Luftvolumenstrom des Kältetrockners zueinander passen.



Alle Komponenten der Druckluftleitung sollten mit einem Betriebsdruck arbeiten, der den Nenndruck des Kältetrockners nicht unterschreitet.

Anschlusssymbole			
	EINGANG		AUSGANG

3.5 Schaltplan

Schaltplan RDX 04-77

K1	Schütz	M1	Kompressor
S1.1, S1.2, H1.3	Start/Stop-Taster	M2	Lüfter
F1	Sicherung	A1	Kondensatablassventil
V1	Stecker	S1	Druckschalter Lüfter

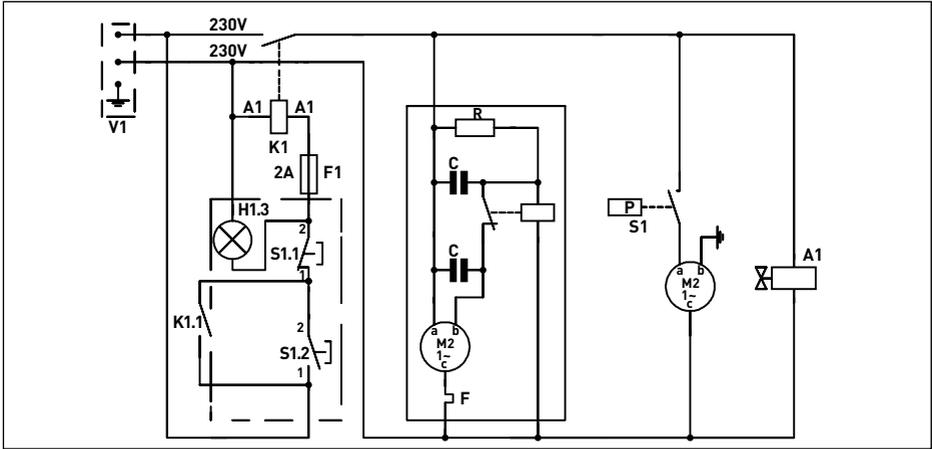


Abb.3.5.1 V.2 Schaltplan RDX 04-77

Schaltplan RDX 100-180

K1	Schütz	V1	Stecker
K2	Schütz	S3	Hochdruckschalter
M1	Kompressor	S2	Niederdruckschalter
M2	Lüfter	TN1	Überlastrelais
A1	Kondensatablassventil	Q1	Hauptschalter
S1	Druckschalter Lüfter	R	Controllerplatine
F1, F2	Sicherung	K5	Zeitrelais

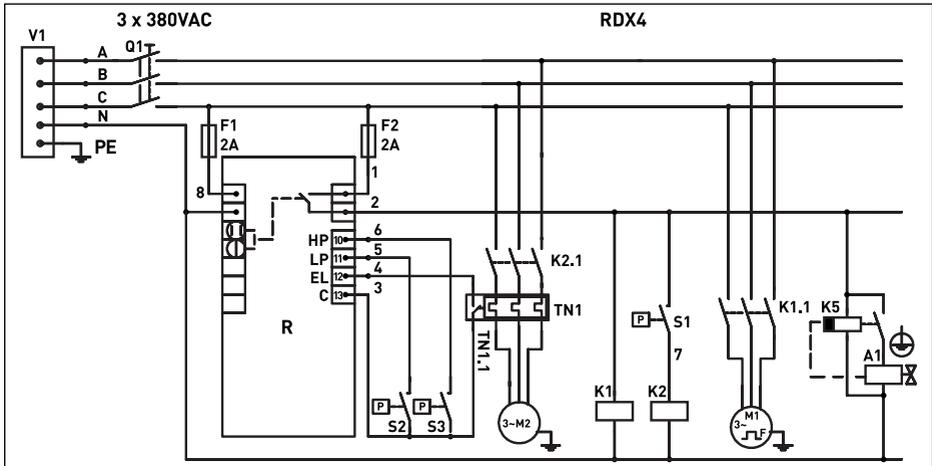


Abb.3.5.2 V.2 Schaltplan RDX 100-180

4. Anwendung

4.1 Bedienfeld

Das Bedienfeld des Kältetrockners enthält einen Hauptschalter, einen Ein- und Aus-Schalter, eine Drucktaupunktanzeige und eine Systemstatusanzeige.

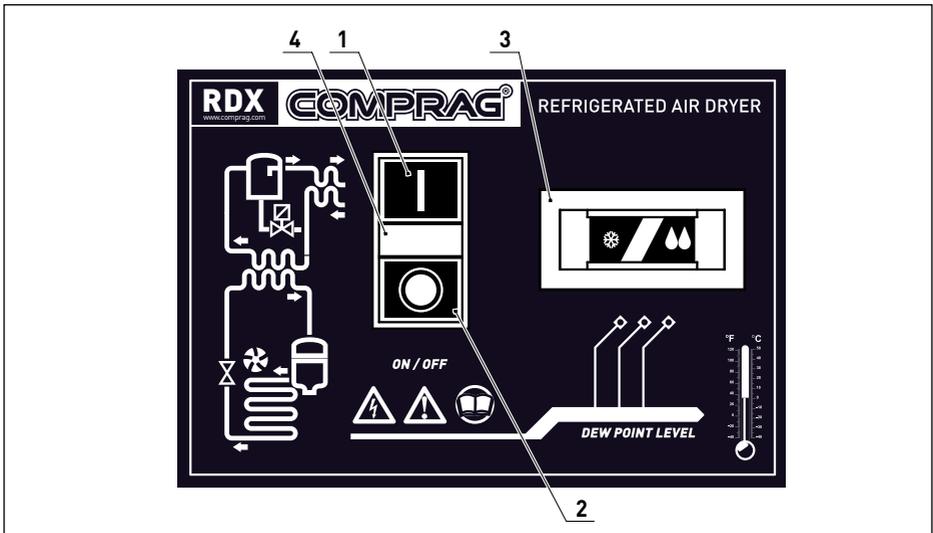


Abb. 4.1.1 V.2 RDX 04-18 Bedienfeld

Pos. 1 Ein-Schalter

Pos. 2 Aus-Schalter

Pos. 3 Drucktaupunktanzeige

Pos. 4 Leuchte Kältetrockner in Betrieb

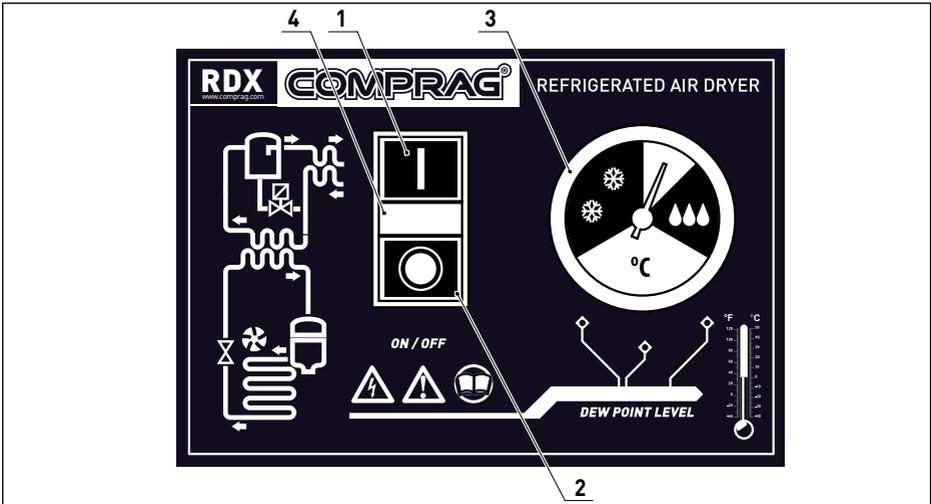


Abb. 4.1.2 V.2 RDX-24-77 Bedienfeld

- Pos. 1** Ein-Schalter
- Pos. 2** Aus-Schalter
- Pos. 3** Drucktaupunktanzeige
- Pos. 4** Leuchte Kältetrockner in Betrieb

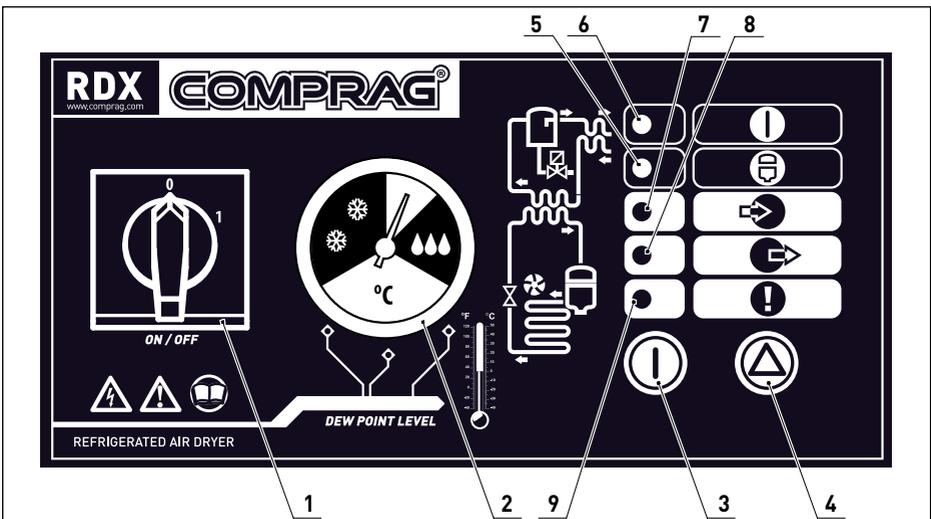


Abb. 4.1.3 V.2 RDX-100-180 Bedienfeld

- Pos. 1** Hauptschalter
- Pos. 2** Drucktaupunktanzeige
- Pos. 3** Ein-Schalter
- Pos. 4** Aus-Schalter
- Pos. 5** Kältetrockner in Betrieb (grün)
- Pos. 6** Kompressor in Betrieb (gelb)
- Pos. 7** Fehler Druck zu niedrig
- Pos. 8** Fehler Druck zu hoch
- Pos. 9** Fehler Elektrik

Drucktaupunktanzeige

Die Drucktaupunktanzeige ist in 3 Zonen aufgeteilt.

- Grüne Zone – optimaler Betrieb
- Orange Zone – System unterkühlt
- Rote Zone – System überhitzt

Kältemittel-Druckschalter S1-S2-S3

Um einen sicheren Betrieb zu gewährleisten und den Trockner vor Beschädigung zu schützen, sind verschiedene Druckschalter in den Kältemittelkreislauf integriert.

S1: Der Lüfterdruckschalter befindet sich auf der Verdichtungsleistung des Kompressors. Er dient dazu, Temperatur/Druck innerhalb der Voreinstellungen zu halten (Luftkühlung).

Druckwert: R 134.a Einschalten bei 12 bar (50 °C) – Abschalten bei 9 bar (40 °C)
– Abweichung $\pm 0,7$ bar

R 404a Einschalten bei 23 bar (52 °C) – Abschalten bei 19 bar (44 °C)
– Abweichung ± 1 bar

S2: Der Niederdruckschalter befindet sich an der Saugleitung (Niederdruckseite) des Kompressors. Er wird betätigt, wenn der Druck unter den eingestellten Wert fällt. Wenn der Nenndruck erreicht ist, wird der Druckschalter automatisch zurückgesetzt.

Druckwert: R 404a Abschalten bei 1.5 bar (-24,7 °C) – Einschalten bei 5.5 bar (2,5 °C)

S3: Der Hochdruckschalter befindet sich an der Verdichtungsleistung (Hochdruckseite) des Kompressors und wird betätigt, wenn der Druck den eingestellten Wert überschreitet. Achtung: Nach einem „Hochdruckfehler“ ist der Trockner gegen einen eventuellen

Neustart verriegelt, da ein erneutes Auftreten dieses Fehlers zu einer Beschädigung des Trockners führen kann. Das Rücksetzen erfolgt manuell über eine Taste am Druckschalter. Dazu ist die linke Verkleidung abzuschrauben und die Entriegelungstaste zu drücken wie in Abbildung 4.1.3 gezeigt. Vor dem Entriegeln muss die Ursache für den Fehler ermittelt und behoben werden.

Druckwert: R 404a Abschalten bei 30 bar – Manuelles Einschalten bei 24 bar.

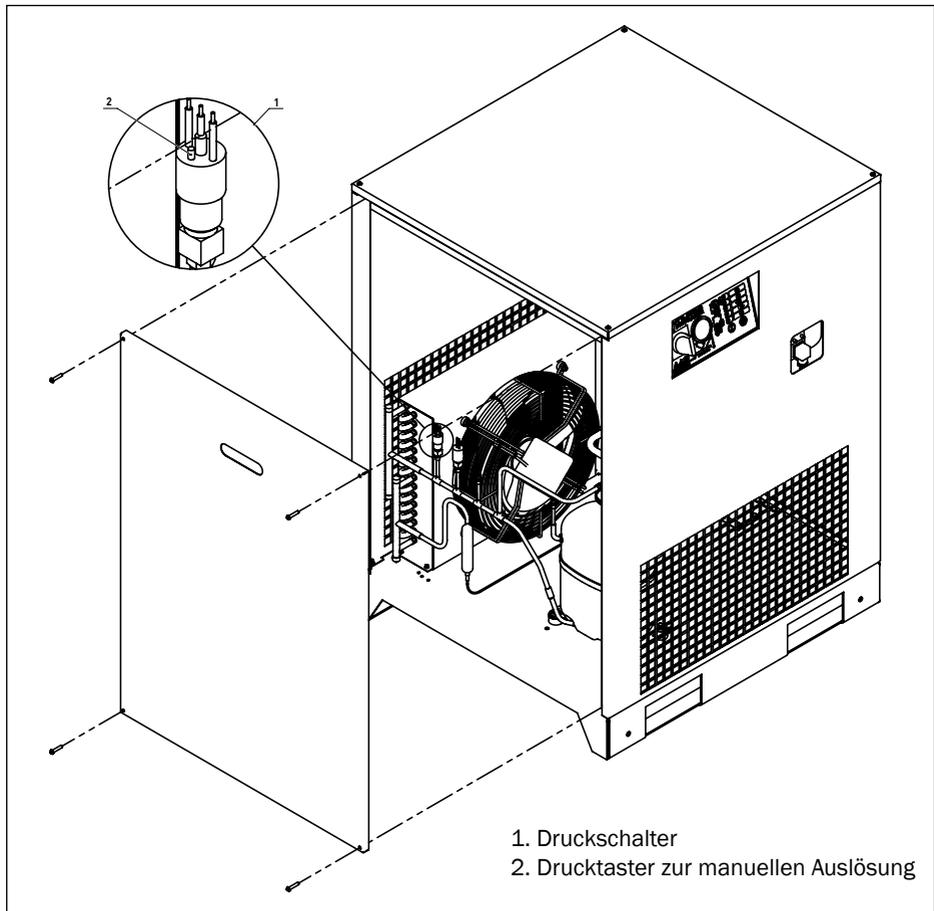


Fig. 4.1.3 Druckschalter Rückstellung

4.2 Vor dem Gebrauch und wöchentlich zu überprüfen

Versichern Sie sich das die Stromanschluss und Luftschlauchverbindung zum Kompressor jederzeit vorhanden und intakt ist.

4.3 Einschalten des Kältetrockners



Die RDX Kältetrockner sind nur von ausreichend qualifizierten Personal zu bedienen

1. Schalten sie den Hauptschalter von Position 0 auf Position 1.
2. Die Anzeige “Kältetrockner an“ leuchtet auf.
3. Betätigen Sie den Ein-Schalter.

4.4 Abschalten des Kältetrockners



Schalten Sie den Kältetrockner niemals aus, solange das Druckluftsystem unter Druck steht.

Der Kältetrockner wird durch das Betätigen des “Aus-Schalters“ auf dem Bedienfeld, und durch das Umschalten des Hauptschalters von Position 1 auf Position 0 abgeschaltet. Nach dem Abschalten erlischt die grüne Statusanzeige.

5. Einstellungen und Wartung

5.1 Einstellungen des Heißgas-Bypassventils

Das Heißgas-Bypassventil führt einen Teil der heißen Luft direkt zurück in die Saugleitung des Kältekompressors.

Die Verdampfungstemperatur und der Verdampfungsdruck bleiben konstant.

Im Normalfall sind keine Einstellungen am Heißgas-Bypassventil vorzunehmen, da Dieses schon während der Produktion und der Testphasen eingestellt wird.

Falls es dennoch nötig ist, sollten Einstellungen nur bei Stillstand durch erfahrene Ingenieure, die sich mit Kältetrockner auskennen, durchgeführt werden.

Drehen Sie die Stellschraube (Position A) bis folgende Werte eingestellt sind:

R134a - 2,2 bar (+0,1/-0)

R404a - 5,4 bar (+0,1/-0)

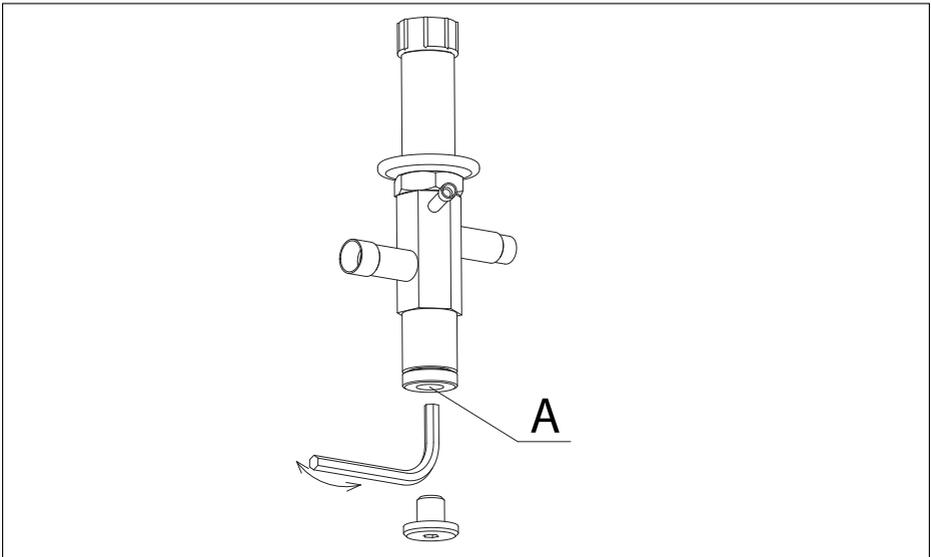
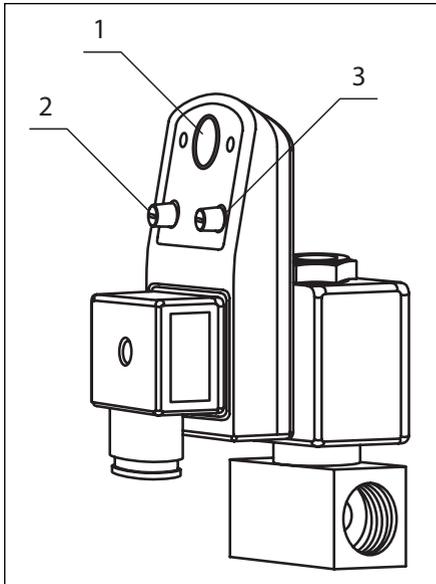


Abb. 5.1. Heißgas-Bypassventil A – Stellschraube.

5.2 Einstellungen des Kondensat-Ablassventils



1. Testknopf
2. Drehknopf, Zeiteinstellung
3. Drehknopf, Frequenz

Abb. 5.2 Kondensat-Ablassventil

Das Kondensat-Ablassventil ist auf der Gehäuserückseite der Kältetrockner RDX 04-18 und an der Front der Kältetrockner RDX 24-180 angebracht. Es kann über eine Öffnung für die Einstellungen erreicht werden. Es sollte so eingestellt werden, dass das Kondensat vollständig aus dem Wärmeaustauscher des Kältetrockners entfernt werden kann. Das Kondensat-Ablassventil hat einen Testknopf, um die Funktionsfähigkeit zu überprüfen und zwei Drehknöpfe um den Kondensatablass zu steuern.

Für einen manuellen Kondensatablass, drücken Sie den Testknopf für einige Sekunden, jedoch nicht länger als 10.

Einstellungen der Ablassfrequenz:

Stellen Sie Drehknopf (2) von 0,5 auf 10 Sekunden ein um die Zeiteinstellung zu setzen.
Stellen Sie Drehknopf (3) von 0,5 auf 45 Minuten um die Frequenz zu setzen.

5.3 Reinigung des Kältetrockners und Verflüssigers

Der Innenbereich des Kältetrockners und Verflüssigers sollte wöchentlich erfolgen. Der Verflüssiger (20) innen links der Baureihe RDX 04-18 und auf der Rückseite der Baureihe RDX 24-180, sollte mit Druckluft gesäubert werden. Der Luftstrom muss direkt in die Gegenrichtung der eigentlichen Luftstromrichtung gerichtet sein und der Winkel zwischen Luftstrom und Ebene des Verflüssigers sollte circa 90° betragen.

6. Fehlerbehebung

Problem	Mögliche Fehler	Fehlerbehebung
Keine Anzeige leuchtet auf dem Bedienfeld	Keine Stromversorgung	Schalten Sie die Stromversorgung ein. Prüfen Sie die Kabelleitungen. Prüfen Sie ob die nötige Nennspannung vorhanden ist
Anzeigen leuchten, aber der Kältetrockner ist nicht im Betrieb	Fehler in der Stromversorgung	Prüfen Sie die Hauptstromversorgung
Der Anzeiger für den Drucktaupunkt ist im gelben Bereich	Das System ist unterkühlt	Adjust the refrigerant bypass valve
	Drucklufteingangstemperatur ist zu hoch	Reduzieren Sie die Drucklufteingangstemperatur, z.B durch den Einsatz eines Druckluft-Nachkühlers
Der Niederdruckschalter wurde ausgelöst	Kältekreislauf undicht, Kältemittel tritt aus	Prüfen. Bei Bedarf nachfüllen. S. Punkt 4.1. Schalter defekt, Austausch erforderlich
	Die Umgebungstemperatur ist zu niedrig	Umgebungstemperatur erhöhen
	Der Druck am Einlass der komprimierten Luft ist zu niedrig	Wenn möglich, den Betriebsdruck erhöhen
Der Hochdruckschalter wurde ausgelöst	Der Kondensatorlüfter läuft nicht	Verdrahtung prüfen. Schütz prüfen. Lüfter austauschen
	Die Umgebungstemperatur ist zu hoch	Für angemessene Belüftung sorgen
	Der Kondensator ist verschmutzt	Kondensator reinigen (S. 5.3)
	Der Druck am Einlass der komprimierten Luft ist zu hoch	Wenn möglich, den Betriebsdruck senken

Der Kältemittelkompressor läuft nicht	Die Stromversorgung ist unterbrochen	Prüfen Sie die Stromversorgung
	Das Temperaturschutz-Relais des Kältemittelkompressors hat geschaltet	Das Temperaturschutz-Relais muss zurückgestellt werden
	Das Wiedereinschalten des Kompressors findet innerhalb der Eingestellten Verzögerungsintervalle statt	Halten Sie die voreingestellten Verzögerungsintervalle ein
Das Kondesat wird nicht ordnungsgemäß abgeführt	Das Kondensat-Ablassventil ist defekt	Tauschen Sie das Kondensat-Ablassventil aus

7. Lagerung

Der Kältetrockner sollte bei einer Temperatur zwischen +5 °C und +40 °C und einer maximalen Luftfeuchtigkeit von 85% gelagert werden.

1	Правила техники безопасности	48
1.1	Символы, использованные в инструкции	48
1.2	Общие меры безопасности	48
1.3	Меры безопасности при вводе в эксплуатацию	49
1.4	Меры безопасности при эксплуатации	50
1.5	Меры безопасности при обслуживании и ремонте	51
2	Устройство и принцип работы	53
2.1	Технические данные	53
2.2	Назначение	55
2.3	Принцип работы	55
2.4	Поправочные коэффициенты при расчёте производительности	56
3	Ввод в эксплуатацию	57
3.1	Такелажные работы	57
3.2	Габаритные размеры	58
3.3	Подготовка помещения	58
3.4	Подсоединения к линии сжатого воздуха	59
3.5	Подключение к электропитанию и эл. схема	60
4	Эксплуатация	62
4.1	Панель управления	62
4.2	Включение/выключение оборудования	66
4.3	Сброс конденсата	66
5	Настройка и сервисное обслуживание	68
5.1	Регулировка байпасного клапана	68
5.2	Настройка таймера конденсатоотводчика	69
5.3	Очистка конденсатора	70
6	Устранение неисправностей	70
6.1	Возможные неисправности	70
7	Хранение и утилизация	72
7.1	Хранение	72
7.2	Утилизация	72

1. Правила техники безопасности

1.1 Символы, используемые в инструкции.

	Опасно для жизни
	Предупреждение
	Внимание

1.2 Общие правила безопасности.

	Вся ответственность за травмы или повреждения, полученные вследствие несоблюдения правил техники безопасности при установке, эксплуатации или обслуживанию, а также при несанкционированном использовании данного оборудования, возлагается на потребителя!
---	---

1. Оператор должен неукоснительно соблюдать правила техники безопасности, предусмотренные этими инструкциями и местным законодательством!
2. При сравнении данных правил безопасности с правилами местного законодательства, необходимо выбирать те, которые предъявляют более жёсткие требования!
3. К эксплуатации, техническому обслуживанию и ремонту оборудования Comrag допускается только обученный обслуживающий персонал с соответствующей степенью профессиональной подготовки!
4. Сжатый воздух непосредственно после компрессора может содержать масла и углекислый газ и не является пригодным для дыхания! Необходимо провести очистку сжатого воздуха до класса чистоты воздуха пригодного для дыхания, соответствующего нормам местного законодательства!
5. Сжатый воздух – источник энергии высокой степени опасности. Запрещается использование сжатого воздуха не по назначению! Не применяйте его для чистки одежды и обуви, не направляйте рукава сжатого воздуха в сторону людей и животных!

При использовании воздуха для чистки оборудования, делайте это с особой осторожностью с применением защитных очков!

6. Все работы по техническому обслуживанию, ремонту, настройке, монтажу и т.п. должны производиться при выключенном оборудовании, с отключенным от сети кабелем питания, с отсоединенными от изделия рукавами сжатого воздуха, работы необходимо проводить в защитных очках! Убедитесь, что оборудования отключено от сети сжатого воздуха и не находится под давлением!

1.3 Меры безопасности при вводе в эксплуатацию.



Вся ответственность за травмы или повреждения, полученные вследствие несоблюдения правил техники безопасности при установке, эксплуатации или обслуживанию, а также при несанкционированном использовании данного оборудования, возлагается на потребителя!

1. Разгрузка/погрузка оборудования должна проводиться только при помощи соответствующих приспособлений или подъёмных механизмов. Ручной подъём и перемещение запрещены. Не оставляйте оборудование в подвешенном состоянии. При разгрузочных работах используйте каску.
2. Разместите изделие в сухом и чистом помещении, исключающим прямого воздействия атмосферных осадков. Помещение должно хорошо проветриваться; при необходимости обеспечьте принудительной вентиляцией.
3. Запрещается использовать изношенные, поврежденные или испорченные рукава сжатого воздуха. Убедитесь, что рукава по номинальному диаметру и рабочему давлению соответствуют данному оборудованию.
4. При использовании в системе нескольких компрессорных станций, каждый компрессор должен предполагать наличие ручного крана для возможности отсечения любого из них в случае возникновения внештатных ситуаций.
5. Не допускается наличие в атмосферном воздухе взрыво- и пожароопасных примесей, таких как: пары растворителей, углеродная пыль и т.п.
6. Обеспечьте свободный доступ к рукаву сжатого воздуха из компрессора. Не захламляйте его, не храните в непосредственной близости легковоспламеняющиеся материалы.
7. Не пережимайте, не деформируйте подводные рукава сжатого воздуха.
8. Не перекрывайте перфорации для обеспечения оборудования воздухом для охлаждения. Обеспечьте хорошее проветривание помещения.
9. При использовании дистанционного управления, изделие должно чётко и ясно сигнализировать об этом: **ВНИМАНИЕ: Эта машина управляется дистанционно и может начать работу без предупреждения!** Оператор, использующий дистанционный путь

управления оборудованием, должен убедиться, что с изделием не проводится в этот момент никаких монтажных и прочих работ. После дистанционного выключения оборудования оператор должен убедиться, что оборудование действительно выключено!

10. Оборудование должно быть заземлено. Обеспечьте защиту от короткого замыкания. Пусковой рубильник должен находиться в непосредственной близости от оборудования и иметь защиту от несанкционированного запуска.



Потребитель несет полную ответственность за соответствие условий эксплуатации электрического двигателя, установленного в оборудовании.

Эксплуатация оборудования без защитной аппаратуры не допускается. Защитная аппаратура должна обеспечивать защиту электрического двигателя от коротких замыканий, перегрузок (систематической и пусковой) и неполнофазных режимов. Установка защитной аппаратуры является обязанностью потребителя.

11. На оборудовании с автономной системой регулировки с функцией автоматического перезапуска рядом с панелью управления должна быть закреплена информационная табличка: **ВНИМАНИЕ: Эта машина может начать работу без предупреждения!**

12. Любые ёмкости и сосуды, работающие под давлением, должны быть оборудованы предохранительными клапанами! Запрещается любой несанкционированный монтаж, демонтаж или настройка прилагаемых предохранительных клапанов.

1.4 Меры безопасности при эксплуатации.



Вся ответственность за травмы или повреждения, полученные вследствие несоблюдения правил техники безопасности при установке, эксплуатации или обслуживанию, а также при несанкционированном использовании данного оборудования, возлагается на потребителя!

1. Убедитесь, что рукава по номинальному диаметру и рабочему давлению соответствуют данному оборудованию. Перед запуском проверьте крепление каждого соединения рукава. Не полностью закреплённый рукав может стать причиной серьёзных травм!

2. Никогда не включайте оборудование, если есть подозрение на наличие в атмосферном воздухе легковоспламеняющихся примесей!

3. Оператор, использующий дистанционный путь управления оборудованием, должен убедиться, что с изделием не проводится в этот момент никаких монтажных и прочих работ! При этом на оборудовании должна быть прикреплена информационная табличка

об этом: **ВНИМАНИЕ:** Эта машина управляется дистанционно и может начать работу без предупреждения!

4. Оператору запрещается работать с оборудованием, если он утомлен, находится под воздействием алкоголя, наркотических средств или лекарственных препаратов, вызывающих замедленную реакцию организма.

5. Запрещается работа оборудования с демонтированными элементами корпуса. Двери или панели могут быть открыты на непродолжительные моменты времени для осмотра и плановых проверок. При это рекомендуется использовать оборудования для защиты органов слуха.



В некоторых типах оборудования открытие дверей или снятие панелей во время работы может привести к его перегреву.

6. Персонал, находящийся в условиях или помещении где уровень звукового давления достигает или превышает значение 90 дБ (А), должен использовать защитные наушники.

7. Если атмосферный воздух, используемый для охлаждения оборудования, применяется при отоплении помещений, примите меры для его фильтрации, чтобы можно было использовать его для дыхания.

8. Периодически проверяйте:

- наличие на своих местах предохранительных устройств и их крепление;
- исправность и герметичность всех рукавов и трубопроводов;
- отсутствие утечек;
- затяжки крепёжных элементов и элементов конструкции;
- все электрические кабели и контакты на исправность и безопасность;
- работоспособность предохранительных устройств, наличие грязи и т.п.
- все элементы конструкции находятся в рабочем состоянии, без износа.

1.5 Меры безопасности при обслуживании и ремонте.



Вся ответственность за травмы или повреждения, полученные вследствие несоблюдения правил техники безопасности при установке, эксплуатации или обслуживанию, а также при не-санкционированном использовании данного оборудования, возлагается на потребителя!

1. Разрешается использовать только оригинальные запасные части и вспомогательные принадлежности. Использование запчастей других производителей может привести к непредсказуемым последствиям и, как результат, к несчастным случаям.
2. При проведении монтажных и ремонтных работ всегда используйте защитные очки!
3. Перед подключением или отключением оборудования отсоедините его от основной пневмосети. Убедитесь в отсутствии давления в рукавах!
4. Перед началом монтажных или прочих работ, убедитесь, что оборудование не нагружено давлением. Монтажные работы с оборудованием под давлением запрещены!
5. Все работы по техническому обслуживанию должны проводиться только тогда, когда температура элементов конструкции упадёт до комнатной.
6. Никогда не используйте для чистки элементов конструкции легковоспламеняющиеся растворители или тетрахлорид углерода. При протирке примите меры предосторожности против ядовитых паров чистящих жидкостей.
7. При проведении монтажных и ремонтных работ необходимо закрепить на панель управления информационную табличку для предотвращения от несанкционированного запуска. Например, «Не включать. Работают люди!»
8. Оператор, использующий дистанционный путь управления оборудованием, должен убедиться, что с изделием не проводится в этот момент никаких монтажных и прочих работ! При этом на оборудовании должна быть прикреплена информационная табличка об этом. Смотри 1.3.9.
9. Содержите помещение, в котором установлено оборудование, в чистоте. Открытые входные и выходные отверстия во время монтажа закрывайте сухой ветошью или бумагой, во избежание попадания мусора в оборудование.
10. Запрещается проводить сварные и прочие подобные работы непосредственно вблизи данного оборудования, а также сосудов, работающих под давлением.
11. При малейшем подозрении на перегрев, воспламенение или другую внештатную ситуацию выключите оборудование. Незамедлительно обесточьте его. Не открывайте двери оборудования до тех пор, пока температура не упадёт до комнатной во избежание получения ожога или травмы.
12. Запрещается использование источников света с открытым пламенем для осмотра и ревизии оборудования.
13. Никогда не используйте едкие растворители, которые могут повредить материалы пневмосети.
14. После проведения монтажных и прочих работ убедитесь, что внутри не осталось инструмента, ветоши, запасных частей и т.п.
15. Особое внимание стоит уделять предохранительным клапанам. Тщательно следите за ними, вовремя удаляйте пыль и грязь. Ни при каких условиях они не должны утратить свой функционал. Помните, от их работы зависит Ваша безопасность!
16. Перед началом работы в штатном режиме после технического обслуживания или ремонта, проверьте, что рабочее давление, температура и прочие характеристики выставлены правильно. Убедитесь, что все управляющие и контролирующие устройства установлены и функционируют верно.

17. При замене фильтров, сепараторов и т.п., протрите сухой ветошью места их крепления от пыли, грязи, остатков масла.

18. Защитите двигатель, воздушный фильтр, электрические и регулирующие компоненты и т.п. от выпадения конденсата. Например, продуйте сухим воздухом.

19. Меры безопасности при работе с хладагентами:

- Никогда не вдыхайте пары хладагента. Убедитесь, что рабочая зона надлежащим образом вентилируется; если необходимо, используйте респиратор;
- Всегда носите специализированные перчатки. В случае контакта хладагента с кожей, промойте место контакта обильным количеством воды. Если хладагент попал на кожу через одежду, не пытайтесь её снять. Тщательно промойте одежду пресной водой, пока весь хладагент не смоется. Затем обратитесь за медицинской помощью.

20. Используйте защитные перчатки во время монтажных и ремонтных работ во избежание получения ожогов и травм. Например, при замене масла.

2. Устройство и принцип работы



Несоблюдение данных инструкций, использование неоригинальных запчастей, отсутствие гарантийного талона может привести к прекращению действия гарантии.

2.1 Технические данные

Основные характеристики рефрижераторных осушителей COMPRAG представлены ниже:

Модель	RDX04	RDX06	RDX09	RDX12	RDX18
Артикул	14310000	14310001	14310002	14310003	14310004
Производительность*, (м ³ /мин)	0,4	0,6	0,9	1,2	1,8
Макс. рабочее давление, МПа	1,6				
Макс. температура сжатого воздуха на входе в осушитель, °C	+55				
Макс. температура окружающей среды, °C	+45				
Температура точки росы, °C	+3				
Тип хладагента	R134a				
Количество хладагента, кг	0,16	0,21	0,24	0,34	0,40
Присоединение	G1/2", внутренняя резьба				
Электропитание	1/230В-50Гц				
Мощность, Вт	125	155	175	270	285

Модель	RDX24	RDX30	RDX36	RDX41
Артикул	14310005	14310006	14310007	14310008
Производительность*, (м ³ /мин)	2,4	3,0	3,6	4,1
Макс. рабочее давление, МПа	1,6			
Макс. температура сжатого воздуха на входе в осушитель, °C	+55			
Макс. температура окружающей среды, °C	+45			
Температура точки росы, °C	+3			
Тип хладагента	R404a			
Количество хладагента, кг	0,35	0,35	0,46	0,46
Присоединение	G1", внутренняя резьба			
Электропитание	1/230В-50Гц			
Мощность, Вт	465	605	735	830

Модель	RDX52	RDX65	RDX77
Артикул	14310009	14310010	14310011
Производительность*, (м ³ /мин)	5,2	6,5	7,7
Макс. рабочее давление, МПа	1,6		
Макс. температура сжатого воздуха на входе в осушитель, °C	+55		
Макс. температура окружающей среды, °C	+45		
Температура точки росы, °C	+3		
Тип хладагента	R404a		
Количество хладагента, кг	0,52	0,65	0,77
Присоединение	G1 1/2", внутренняя резьба		
Электропитание	1/230В-50Гц		
Мощность, Вт	950	1145	1500

Модель	RDX100	RDX120	RDX150	RDX180
Артикул	14310012	14310013	14310014	14310015
Производительность*, (м ³ /мин)	10,0	12,0	15,0	18,0
Макс. рабочее давление, МПа	1,6			
Макс. температура сжатого воздуха на входе в осушитель, °C	+55			
Макс. температура окружающей среды, °C	+45			
Температура точки росы, °C	+3			
Тип хладагента	R404a			
Количество хладагента, кг	1,00	1,10	1,50	1,80
Присоединение	G2 1/2", внутренняя резьба			
Электропитание	3/380В-50Гц			
Мощность, Вт	2100	2150	2445	2990

*-смотри пункт 2.4.

2.2 Назначение

Осушитель является охлаждающей установкой с непосредственным охлаждением и сухим испарителем. Влажный воздух передается в теплообменник, в котором происходит конденсация водяных паров. Конденсат собирается и удаляется через конденсатоотводчик. Осушитель предназначен для осушения сжатого воздуха, используемого в промышленных целях. Запрещается использовать осушитель в помещениях, в которых существует опасность пожаров или взрывов, или проводятся работы, в ходе которых выделяются вещества, представляющие угрозу в плане пожарной безопасности (растворители, воспламеняющиеся пары, спирты и т.д.). В частности, запрещается использовать осушитель для производства воздуха, предназначенного для дыхания. Подобное использование допускается, если провести очистку сжатого воздуха до класса чистоты воздуха пригодного для дыхания, соответствующего нормам местного законодательства! Оборудование должно использоваться только по назначению. Использование оборудования для других целей считается неправильным и необоснованным. Производитель не несет ответственности за любой ущерб, причиненный в результате неправильного или необоснованного использования оборудования.

2.3 Принцип работы

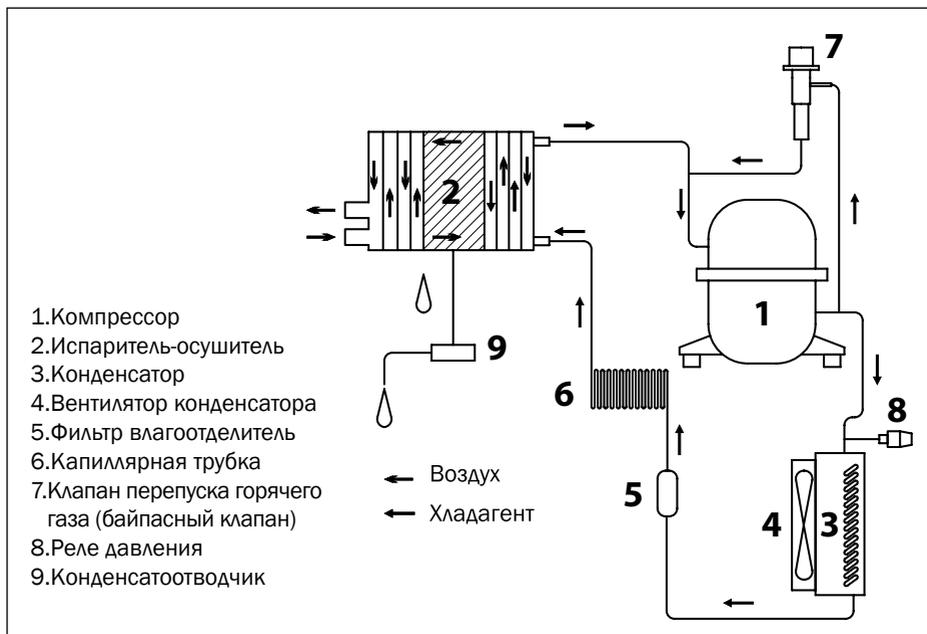


Схема работы осушителя

Компрессор (1) нагнетает горячий хладагент в конденсатор (3), где большая часть хладагента переходит в жидкую фазу; сконденсированный хладагент проходит фильтр водоотделитель(5), расширяется посредством капиллярной трубки(6), а затем возвращается в испаритель (2), где и используется для охлаждения входящего сжатого воздуха. В результате теплообмена между хладагентом и сжатым воздухом, противотоком проходящим через испаритель, хладагент испаряется и возвращается в компрессор на новый цикл. Контур оснащен перепускной системой, которая позволяет регулировать интенсивность охлаждения в зависимости от действительной нагрузки. Регулировка выполняется перепуском горячего газа через клапан (7): данный клапан поддерживает постоянное давление хладагента в испарителе; таким образом, значение точки росы никогда не опускается ниже 3 °С для предотвращения замерзания хладагента внутри испарителя. Сушитель работает полностью в автоматическом режиме.

2.4 Поправочные коэффициенты для пересчёта производительности

Все расчёты при проектировании и изготовлении осушителей приводятся к номинальным (стандартным) условиям. Согласно ISO 7183 таковыми являются: рабочее давление 0,7МПа, температура окружающей среды +25 °С, температура сжатого воздуха на входе в осушитель +35 °С. То есть, при подборе осушителя требуется использование поправочных коэффициентов, учитывающих разницу между номинальными и реальными условиями.

Поправочный коэффициент в зависимости от рабочего давления								
Рабочее давление, МПа	0,4	0,6	0,7	0,8	1,0	1,2	1,4	1,6
Коэффициент F1	1,25	1,06	1,00	0,96	0,90	0,86	0,82	0,80

Поправочный коэффициент в зависимости от температуры сжатого воздуха на входе								
Температура воздуха на входе, °С	+30	+35	+40	+45	+50	+55	1,4	1,6
Коэффициент F2	0,85	1,00	1,18	1,39	1,67	2,00	0,82	0,80

Поправочный коэффициент в зависимости от температуры окружающей среды								
Температура окружающей среды, °С	+20	+25	+30	+35	+40	+45	1,4	1,6
Коэффициент F3	0,92	1,00	1,07	1,14	1,22	1,3	0,82	0,80

Используя при расчёте требуемого осушителя данные коэффициенты, получаем, что реальная производительность Р будет равна:

$$P = P_{\text{номинальная}} \times F1 \times F2 \times F3.$$

3. Ввод в эксплуатацию

3.1 Такелажные работы

Проверьте визуально отсутствие повреждения упаковки, если повреждений нет, поставьте блок рядом с выбранным местом монтажа и распакуйте. Перемещение оборудования должно проводиться только при помощи соответствующих приспособлений или подъёмных механизмов. Ручной подъём и перемещение запрещены. Даже в упаковке, держите оборудование в защищенном от воздействия погодных явлений месте. Обращаться с осторожностью. Сильные удары (толчки, падение) могут нанести непоправимый ущерб.



Присутствие на изделии вмятин, сколов и прочих повреждений может привести к прекращению действия гарантии.

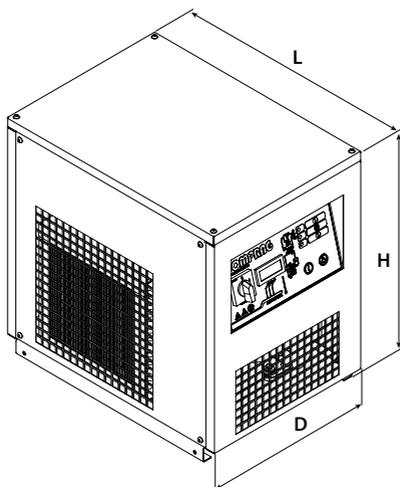


Рис. 3.1 Осушитель, габаритные размеры

3.2 Габаритные размеры

Модель	Осушитель				Осушитель в упаковке			
	Высота Н, мм	Ширина D, мм	Длина L, мм	Масса, кг	Высота, мм	Ширина, мм	Длина, мм	Масса, кг
RDX04	500	360	520	34	650	405	545	40
RDX06				35				41
RDX09				36				42
RDX12				36				42
RDX18				38				44
RDX24	810	510	555	47	970	670	560	53
RDX30				52				58
RDX36				60				66
RDX41				65				71
RDX52	890	515	565	72	1055	650	565	79
RDX65				75				82
RDX77				86				93
RDX100	1150	850	800	172	1375	930	930	177
RDX120				175				182
RDX150				180				185
RDX180								188

3.3 Подготовка помещения



Размещение осушителя в ненадлежащих окружающих условиях может привести к потере его работоспособности вследствие сверхвысоких нагрузок. По этой причине такие ситуации, как: поломка компрессора, двигателя вентилятора и электрических компонентов не являются гарантийным случаем.

Минимальные требования для установки:

- Выберите чистое не запылённое и сухое помещение, защищённое от атмосферных явлений.
- В помещении пол должен быть ровный, горизонтальный и выдерживать вес осушителя.
- Минимальная температура окружающей среды +5 °С.
- Максимальная температура окружающей среды +50 °С.
- В помещении должен быть предусмотрен приток свежего воздуха.
- Со всех сторон осушителя должен быть свободный проход для вентиляции и технического обслуживания.



При возникновении пожара, используйте соответствующие средства пожаротушения, вода не приемлема для тушения очага возгорания.

Не блокируйте, даже частично, вентиляционную перфорацию осушителя. Избегайте возможной рециркуляции воздуха от других источников тепла.

Осушитель не требует крепления к полу.

3.4 Подсоединения к линии сжатого воздуха

Все работы по подключению компрессорного оборудования должны проводиться при отсутствии давления в пневмосети.

Операции по подключению к линии сжатого воздуха должны производиться только квалифицированным специалистом. Температура и количество поступающего воздуха в осушитель должны соответствовать указанным значениям на идентификационной табличке. При завышенной температуре сжатого воздуха на входе, необходимо установить дополнительный охладитель.



Превышение допустимого давления может стать причиной травм оператора и повреждений оборудования. Потребитель несет ответственность за последствия превышения давления сверх значения, указанного на идентификационной табличке осушителя.

Символы подключения



ВХОД



ВЫХОД

Размеры и рабочие характеристики рукавов и арматуры должны соответствовать количеству и давлению подаваемого воздуха. Занижение может привести к разгерметизации системы и стать причиной травм оператора и повреждений оборудования.

3.5 Подключение к электропитанию и эл. схема

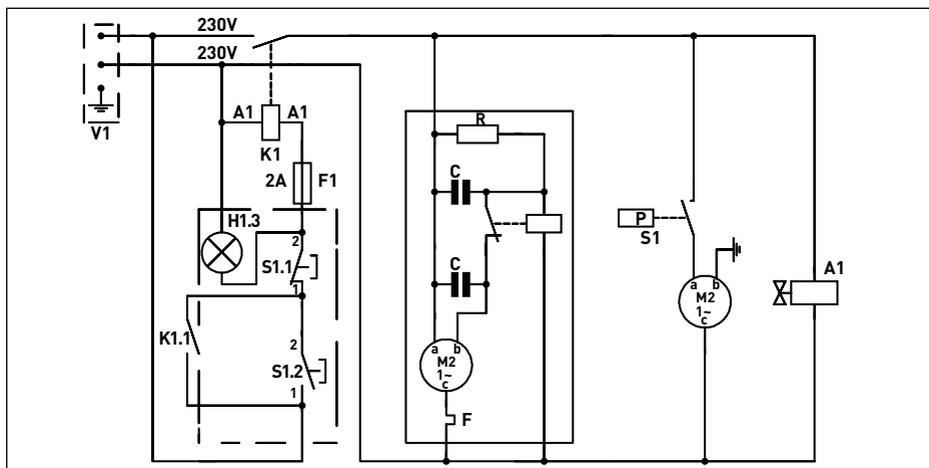


Рис.3.5.1 V.2 Схема электрическая принципиальная RDX 04-77

Обозначение	Наименование	Обозначение	Наименование
K1	Контактор	M1	Компрессор
S1.1 S1.2 H1.3	Кнопка СТАРТ / СТОП / ИНДИКАЦИЯ	M2	Вентилятор
F1	Предохранитель	A1	Автоматический клапан сброса конденсата
V1	Вилка электрическая	S1	Реле давления вентилятора

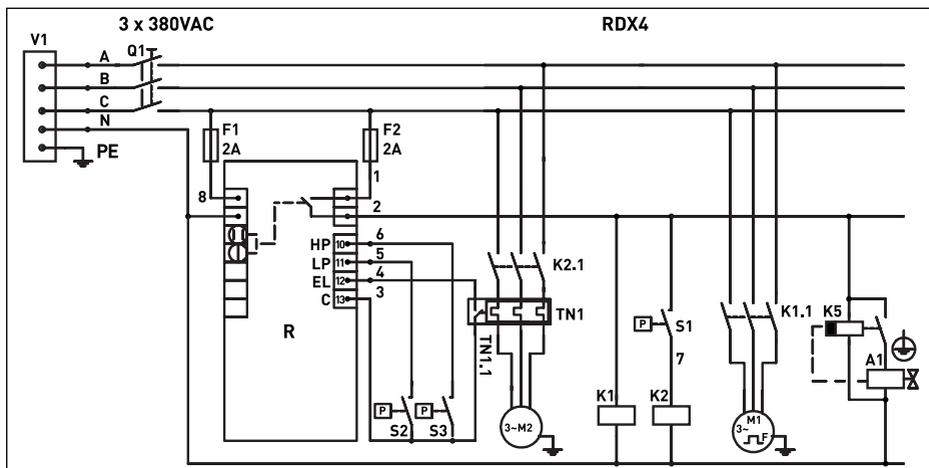


Рис.3.5.2 V.2 Схема электрическая принципиальная RDX 100-180

Обозначение	Наименование	Обозначение	Наименование
K1	Контактор	V1	Вилка электр.
K2	Контактор	S3	Реле ошибки высокого давления
M1	Компрессор	S2	Реле ошибки низкого давления
M2	Вентилятор	TN1	Термореле
A1	Клапан сброса конденсата	Q1	Рубильник
S1	Реле давления вентилятора	R	Блок управления
F1, F2	Предохранитель	K5	Таймер

Только квалифицированный персонал должен выполнять соединение оборудования к силовому электропитанию. Перед выполнением соединений необходимо убедиться, что напряжение и частота в электросети соответствуют требуемым значениям настоящих инструкций. Допустимое отклонение напряжения составляет $\pm 10\%$. Потребитель несёт ответственность за правильный подбор сечения питающего кабеля.

Направление вращения вентилятора конденсатора на моделях RDX100, RDX120, RDX150, RDX180 необходимо проверять при подключении по наклейке «Стрелка» на корпусе конденсатора. осушителя. Для этого нужно снять верхнюю панель и заглянуть внутрь осушителя.

4. Эксплуатация

4.1 Панель управления

Панель управления осушителей имеет 3 модификации.

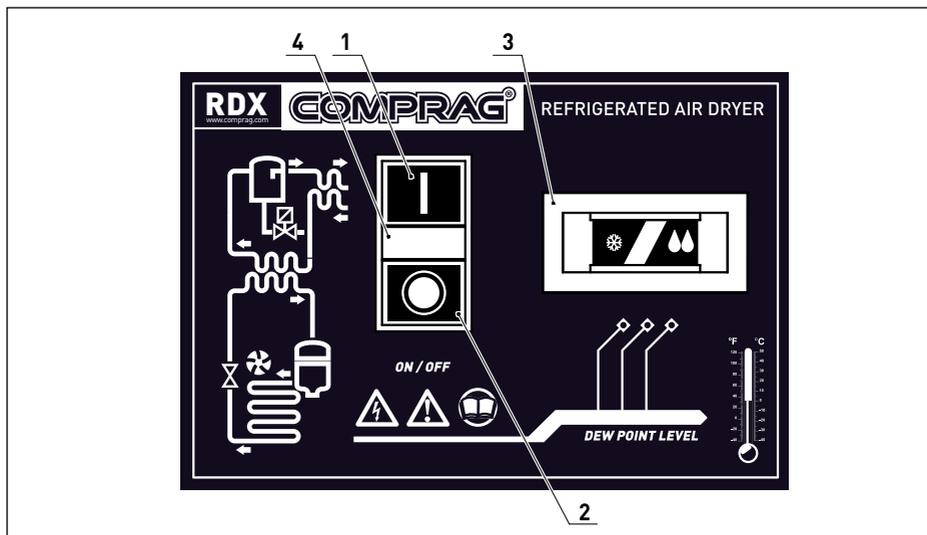


Рис. 4.1.1 V.2 Панель для RDX 04-18

Поз. 1 Кнопка включения «СТАРТ».

Поз. 2 Кнопка выключения «СТОП».

Поз. 3 Индикатор точки росы. Имеет 3 зоны: зелёная зона – оптимальный режим работы; жёлтая зона – система переохлаждена; красная (оранжевая) зона – система перегрета.

Поз. 4 Индикатор «Осушитель в работе».

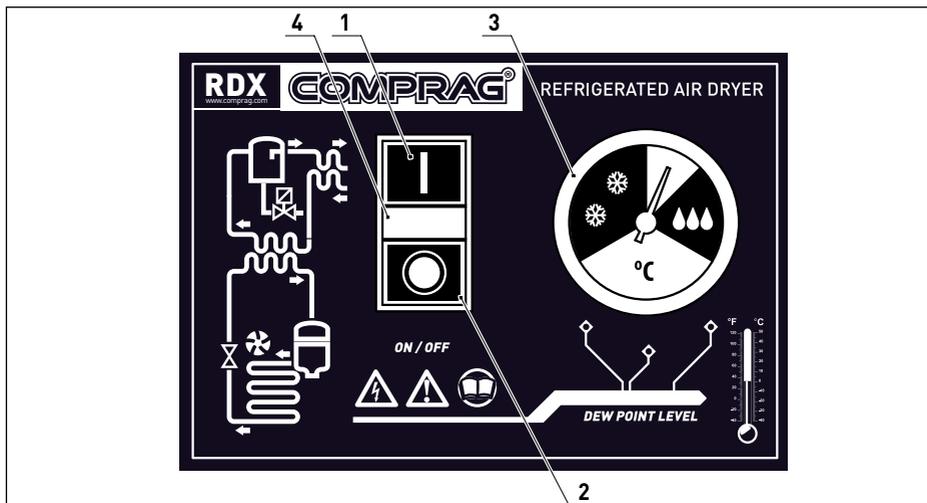


Рис. .4.1.2 V.2 Панель для RDX 24-77

Поз. 1 Кнопка включения «СТАРТ».

Поз. 2 Кнопка выключения «СТОП».

Поз. 3 Индикатор точки росы. Имеет 3 зоны: зелёная зона – оптимальный режим работы; жёлтая зона – система переохлаждена; красная (оранжевая) зона – система перегрета.

Поз. 4 Индикатор «Осушитель в работе».

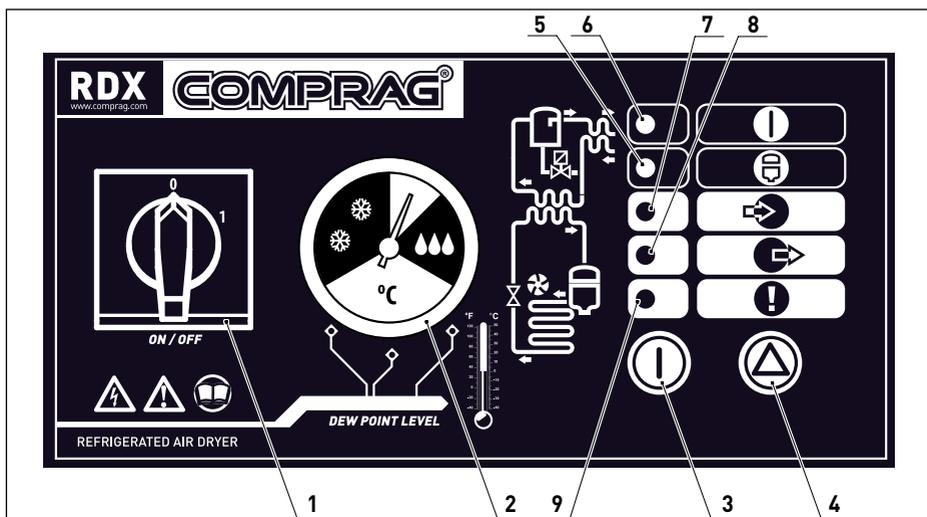


Рис. 4.1.3 V.2 Панель для RDX 100-180

Поз. 1 Рубильник питания.

Поз. 2 Индикатор точки росы: - зелёная зона – оптимальный режим работы; - жёлтая зона – система переохлаждена; - красная (оранжевая) зона – система перегрета.

Поз. 3 Кнопка «СТАРТ».

Поз. 4 Кнопка «СТОП».

Поз. 5 Индикатор «Сеть».

Поз. 6 Индикатор «Осушитель в работе».

Поз. 7 Индикатор «Ошибка низкое давление».*

Поз. 8 Индикатор «Ошибка высокое давление».*

Поз. 9 Индикатор «Неверная фазировка». Осушитель неправильно подключён к силовому кабелю. Ещё раз проверьте фазировку.

* РЕЛЕ ДАВЛЕНИЯ ХЛАДАГЕНТА S1- S2- S3

Для обеспечения безопасной работы и целостности осушителя в контуре газа-хладагента установлено несколько реле давления.

S1: Реле давления вентилятора, расположено на нагнетательной стороне компрессора. Используется для поддержания постоянной температуры/давления конденсации в пределах установленных значений (воздушное охлаждение). Значение давления: R 134A Включение 12 bar (50 °C) - Выключение при 9 bar (40 °C). R 404A Включение 23 bar (52,0 °C) - Выключение при 19 bar (44,0 °C).

S2: Реле низкого давления, расположено на стороне всасывания (картере) компрессора; срабатывает, если давление становится ниже установленного значения. Восстанавливается автоматически по достижении номинального значения давления. Значение давления: R 404A Выключение при 1.5 bar (-24,7 °C) - Запуск при 5.5 bar (2,5 °C).

S3: Реле высокого давления, расположено на нагнетательной стороне компрессора, срабатывает, если давление превышает установленное значение. Внимание: После возникновения «Ошибки высокого давления» осушитель заблокирован для перезапуска т.к. повторение данной ошибки может привести к поломке осушителя. Восстановление осуществляется вручную с помощью кнопки, расположенной на самом реле давления. Для этого открутите левую панель и нажмите на кнопку сброса, как показано на рисунке 4.1.3. Перед снятием блокировки необходимо устранить причину ошибки. Значение давления: R 404A Выключение при 30 bar (64,2 °C) - Ручной запуск при 24 bar (54,0 °C).

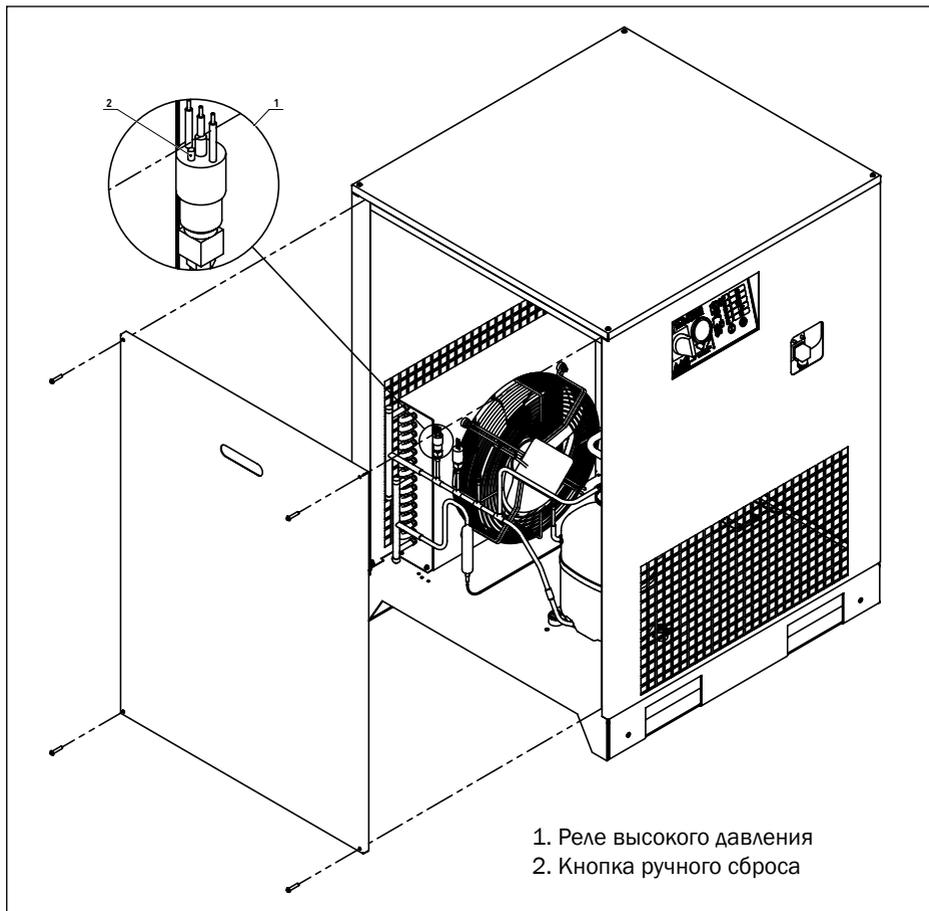


Рис. 4.1.4 V.2 Сброс реле высокого давления

4.2 Включение/выключение оборудования



Убедиться, что рабочие параметры соответствуют номинальным значениям, указанным на идентификационной табличке осушителя (частота и напряжение питания, давление и температура сжатого воздуха, температура окружающей среды и т.д.)

Если доставка оборудования проводилась в зимний период, после вскрытия упаковки перед первым включением выдержите не менее 8 часов при комнатной температуре для нагрева компонентов оборудования и во избежание выпадения конденсата.

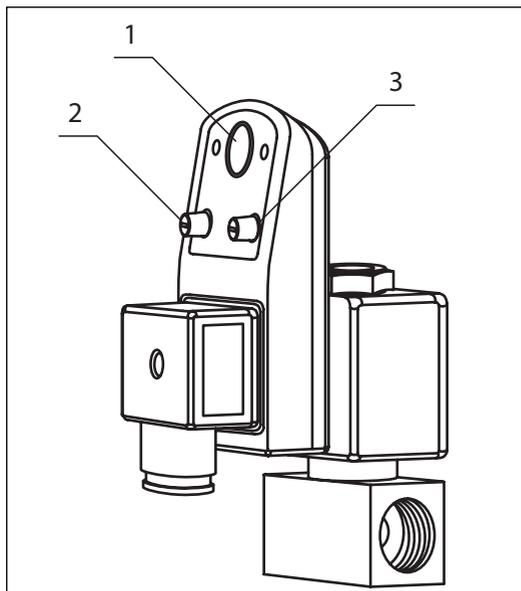


Первый запуск должен производить только квалифицированный специалист. Пользователь полностью отвечает за правильную и безопасную эксплуатацию оборудования. Никогда не эксплуатируйте оборудование с открытыми (снятыми) панелями.

Пуск осушителя производится нажатием кнопки 1 «СТАРТ». Остановка производится нажатием кнопки 2 «СТОП» (см. рисунки 4.1.1, 4.1.2, 4.1.3).

4.3 Сброс конденсата

Осушитель поставляется с установленным таймерным конденсатоотводчиком (соленоидный клапан). На рисунке 4.3. представлен конденсатоотводчик, агрегируемый в данные осушители.



1. Тест; принудительный сброс конденсата.
2. Регулятор продолжительности времени открытия клапана.
3. Регулятор частоты открытия клапана.

Рис. 4.3 Конденсатоотводчик.



Конденсат удаляется под давлением из пневмосети. Обеспечьте надёжное крепление линии удаления конденсата. Не направляйте струю из конденсатоотводчика в сторону людей и животных.

Жёстко закрепите дренажную линию к любой несущей конструкции. Для сбора конденсата подготовьте ёмкость, объём которой сопоставим с суммарным дневным сбросом (проведите первичный анализ на зависимость от влажности). Запрещается сливать конденсат в окружающую среду. Конденсат, собираемый осушителем, содержит частицы масла, уносимые воздухом из компрессора. Утилизацию конденсата производить в соответствии с нормами, действующими в стране пользователя. Рекомендуется установить сепаратор конденсата вода-масло, в который поступает весь удаляемый конденсат: из компрессоров, осушителей, ресиверов, фильтров и т.д.

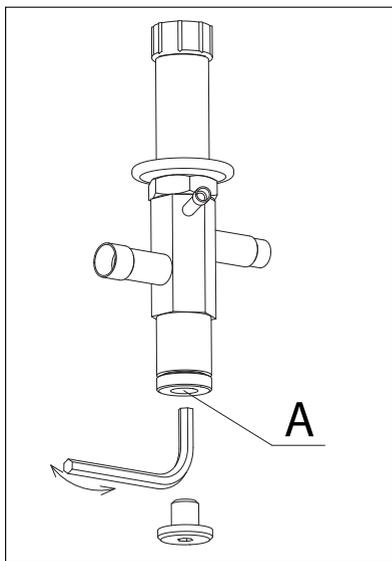
5. Настройка и сервисное обслуживание

5.1 Регулировка байпасного клапана

Данный клапан перепускает часть горячего газа (из количества нагнетаемого газа компрессором) в трубку полости между испарителем и всасыванием компрессора, под-держивая постоянным значение температуры/давления кипения хладагента. Этот процесс полностью исключает образование льда внутри испарителя в полости сжатого воздуха. Обводной клапан горячего газа регулируется во время конечных испытаний осушителя на заводе-изготовителе. Обычно регулировка не требуется; однако в случае необходимости, например, при предельно допустимых условиях эксплуатации, регулировка допустима.



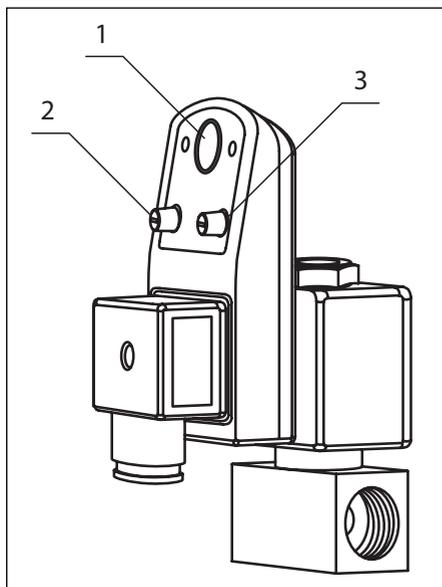
Операции по настройке и регулировке байпасного клапана (клапана перепуска горячего газа) должны выполняться опытным инженером по холодильной технике.



Внимание: подключение к сервисному клапану Шрёдера необходимо только в случае действительной поломки системы охлаждения. При каждом присоединении манометра к клапану происходит утечка части хладагента. Перед регулировкой отключите осушитель от пневмосети. Настройка осуществляется поворотом регулировочного болта А в пределах следующих минимальных значений давления:
Для хладагента R134a - 2,2бар. (+0,1/-0)
Для хладагента R404a - 5,4бар. (+0,1/-0)

Рис. 5.1. Байпасный клапан. А – регулировочный винт.

5.2 Настройка таймера конденсатоотводчика



1. Тест; принудительный сброс конденсата.
2. Регулятор продолжительности времени открытия клапана.
3. Регулятор частоты открытия клапана.

Рис. 5.2 Конденсатоотводчик.

Окно для регулировки параметров конденсатоотводчика располагается в одной из панелей осушителя.

По умолчанию удаление конденсата происходит автоматически с заводскими предустановками. Но, в зависимости от состояния окружающей среды (влажности, давления, температуры), количество воды в сжимаемом воздухе может варьироваться. Проведите первичный анализ на зависимость количества влаги в воздухе от состояния окружающей среды и по его итогам выставите регулятором 2 продолжительность времени открытия клапана и регулятором 3 частоту открытия клапана. Диапазоны регулировок должны быть выбраны так, чтобы сконденсированная влага не скапливалась в осушителе. Кнопка 1 является кнопкой теста, проверяет работоспособность конденсатоотводчика принудительным сбросом конденсата. Ежедневно проводите проверку работоспособности конденсатоотводчика.

5.3 Очистка конденсатора

Регулярно проводите очистку конденсатора от пыли и грязи, которая может попадать в него через перфорации вместе с воздухом для охлаждения. Для этого снимите перфорированную панель, влажной ветошью протрите его от пыли и грязи. Затем продуйте конденсатор струёй сжатого воздуха. При проведении этих операций обязательно отключите осушитель от пневмо-сети и источника питания! Очистка конденсатора должна проводиться не реже 1 раза в месяц!

6. Устранение неисправностей

6.1 Возможные неисправности

Неисправность	Возможная причина	Способ устранения
Осушитель не запускается	Нет электропитания.	Проверить подачу электропитания, проверить электропроводку.
	Перегрев компрессора	Дождаться остывания компрессора, повторить попытку.
Не запускается компрессор осушителя.	Перегрев, вышел из строя.	Сработала защита компрессора – подождать 30 минут и перезапустить. Проверить электропроводку. Если не запускается после этого, обратится в сервисный центр и заменить.
Не работает вентилятор конденсатора.	Не исправлен силовой контактор. Сгорел двигатель.	Проверить электропроводку. Проверить контактор. Заменить вентилятор.
Сработало реле низкого давления.	Утечка хладагента из контура.	Проверить. При необходимости дозаправить. См. пункт 4.1. Вышло из строя, заменить.
	Температура окружающей среды слишком низкая.	Повысьте температуру окружающей среды.
	Давление на входе сжатого воздуха слишком низкое.	Если возможно, попробуйте увеличить рабочее давление.

Сработало реле высокого давления.	Не работает вентилятор конденсатора.	Проверить электропроводку. Проверить контактор. Заменить вентилятор.
	Температура окружающей среды слишком высокая.	Обеспечить соответствующую вентиляцию.
	Конденсатор загрязнён.	Очистить конденсатор (п. 5.3.)
	Давление на входе сжатого воздуха слишком высокое.	Если возможно, попробуйте понизить рабочее давление.
Давление в конденсаторе слишком высокое или слишком низкое.	Вентилятор вышел из строя.	Смотри предыдущий пункт.
	Конденсатор засорён.	Смотри пункт 5.3.
Наличие конденсата в трубопроводе.	Не работает конденсатоотводчик.	Смотри пункт 4.3.
	Осушитель работает в режиме, превышающем номинальные.	Проверить температуру окружающего воздуха. Проверить температуру воздуха на входе. Очистить конденсатор (п. 5.3.)

7. Хранение и утилизация

7.1 Хранение осушителей

Хранение осушителей допускается в сухом помещении при температуре от -10° до $+25^{\circ}$ C и при относительной влажности 85%. В помещении должна быть исключена возможность выпадения атмосферных осадков.

7.2 Утилизация

При демонтаже осушителя на утилизацию, рекомендуется распределить детали по типу материалов. Рекомендуется следовать правилам безопасности при переработке каждого отдельного материала.

Особое внимание требуется уделить утилизации хладагента.



Сброс хладагента в атмосферу запрещён!

В хладагенте присутствуют частички масла от смазывания холодильного компрессора. Не сбрасывать хладагент в окружающую среду. Извлеките его из осушителя соответствующим оборудованием и сдайте в центр по его переработке.